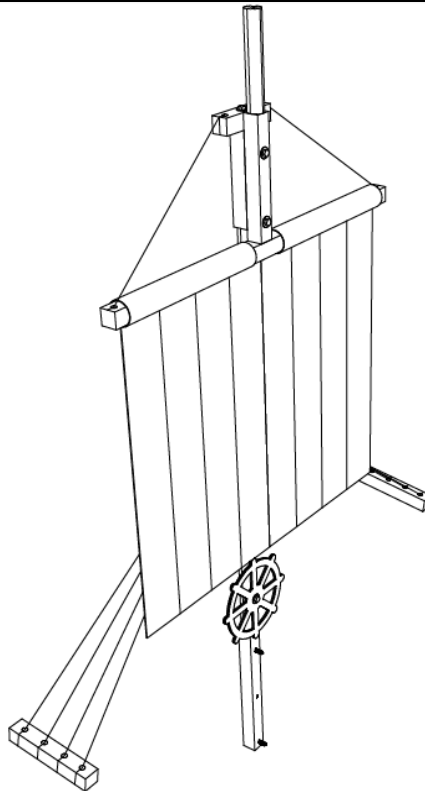


Instruction Manual

Bed Frame Accessory Model MAST-2



Read all instructions before assembly and use.
Keep instructions for future use.



ADULT ASSEMBLY REQUIRED

Due to the presence of small parts during assembly, keep out of reach of children until assembly is complete.



1900 Alfa Drive
Lancaster, PA 17601
(717) 269-8934
tradecraftspecialties@gmail.com
www.tradecraftspecialties.com

Use and Warnings

Your child's safety is our top priority. Please observe the following safety warnings to ensure the safe use of this product:

- **STRANGULATION HAZARD** - Never attach or hang items to any part of this product that are not designed for use with the product; for example, but not limited to, hooks, belts and jump ropes.
- Do not stand, sit, hang, swing, or lean on any part of this product.
- Do not allow jumping or horseplay around or near this product.
- Do not use product if any parts are missing or damaged.
- Do not use substitute parts. Contact manufacturer should replacement parts be necessary.
- Before assembly and use, inspect product for damaged hardware, loose joints, missing pieces or sharp edges.
- Warning: hardware included with this product may have sharp points or edges. Assembly by an adult is required. Keep all loose hardware out of reach of children.
- Warning: small parts are a choking hazard for children. Make sure that all hardware is properly and tightly installed to prevent access to loose parts by children. Properly discard excess hardware after assembly to prevent access of loose parts to children. Properly discard all packing materials.

General Specifications

Assembled dimensions (approximate): 6" long, 57" (on full) or 42" (on twin) wide, 86" high.

Important Information

Each one of our products is handmade, hand painted, and hand packaged. Minor imperfections may occur that are not manufacturing defects, but rather a result of the handcrafting process that makes our products unique and special.

Care and Maintenance

- Check all fasteners periodically for tightness.
- Clean solid surfaces using a slightly damp cloth if necessary. Do not use any corrosive cleaning products or abrasives that may degrade or damage the surface. Furniture polish may be used to clean dust off solid surfaces.
- We recommend that any cleaning materials first be tested on a surface that would not be visible during the course of normal use.
- Use of a vaporizer close to this product may cause the surface to swell and the surface to peel.
- Do not machine-wash fabric; machine-washing may cause fabric to shrink. To clean fabric, hand scrub or brush with light water use (such as a spray bottle) and/or an appropriate soap for use with outdoor canvas. Rub dry immediately after cleaning. We recommend that any cleaning materials first be tested on a surface that would not be visible during the course of normal use.

Disassembly

To disassemble, reverse order of steps for assembly.

Assembly Notes

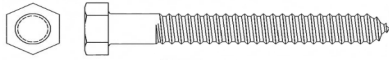
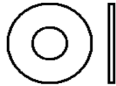
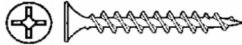


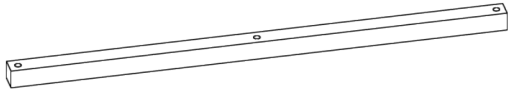
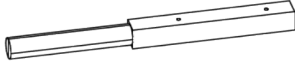
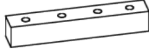
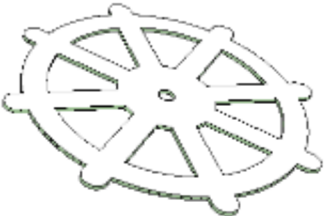
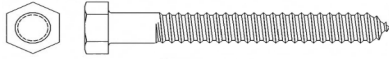
Hardware notes: do not fully tighten any fasteners until all hardware is in place. Failure to follow these instructions may cause fasteners to misalign during assembly. If using power tools to aid in assembly, use caution. Power tools may over-tighten fasteners and split or damage the material.

Tools required (not included):

Phillips head screw driver

7/16" wrench or adjustable wrench

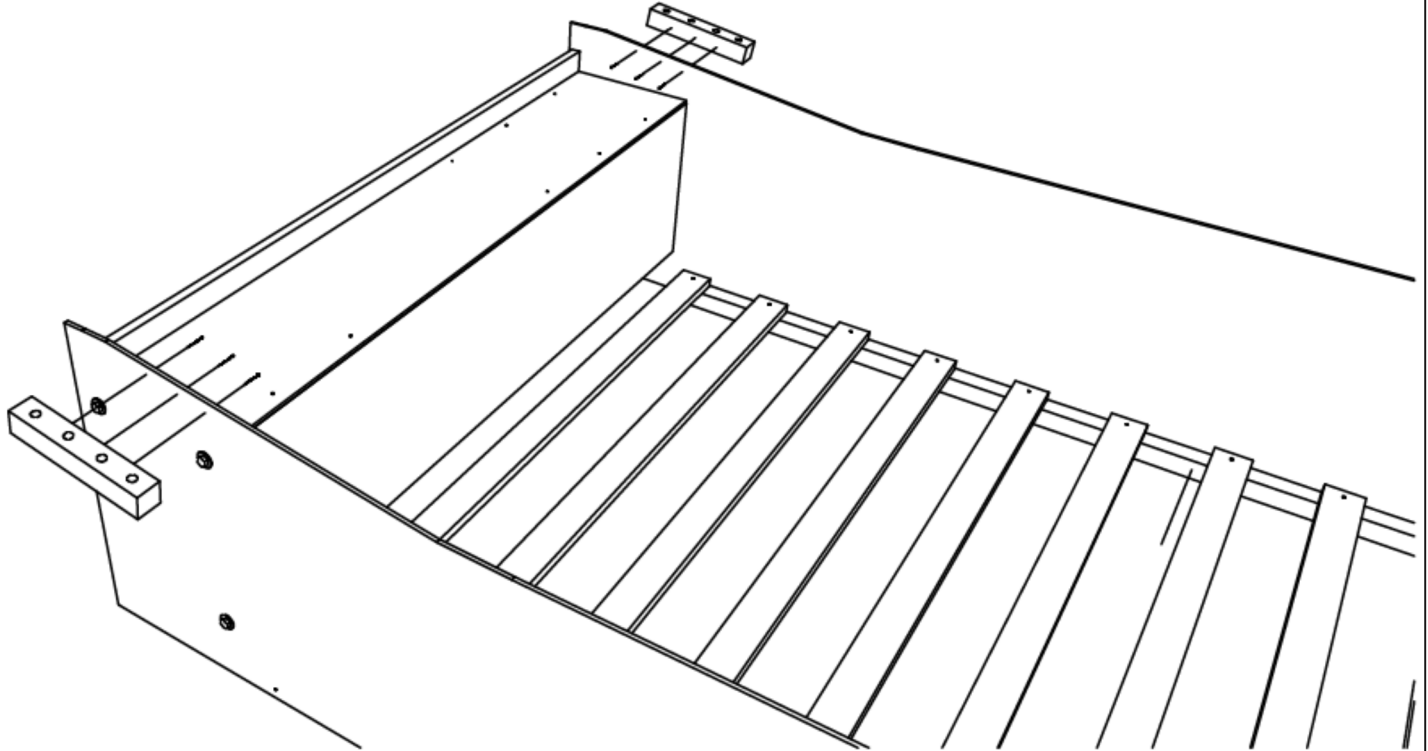
Parts List

Part #:	Quantity:	Description:	Reference image only (not to scale):
[A]	(9)	1/4" Lag bolt (long)	
[B]	(13)	1/4" Metal flat washer	
[C]	(6)	Screw	
[D]	(1)	Sail	(Appearance varies by model)
[E]	40' approx.	Cordage/rope	
[F]	(2)	Mast	
[G]	(2)	Top	
[H]	(1)	Yard	
[I]	(1)	Top-mast	
[J]	(2)	Chains	
[K]	(1)	Wheel	
[L]	(1)	1/4" Lag bolt (short)	

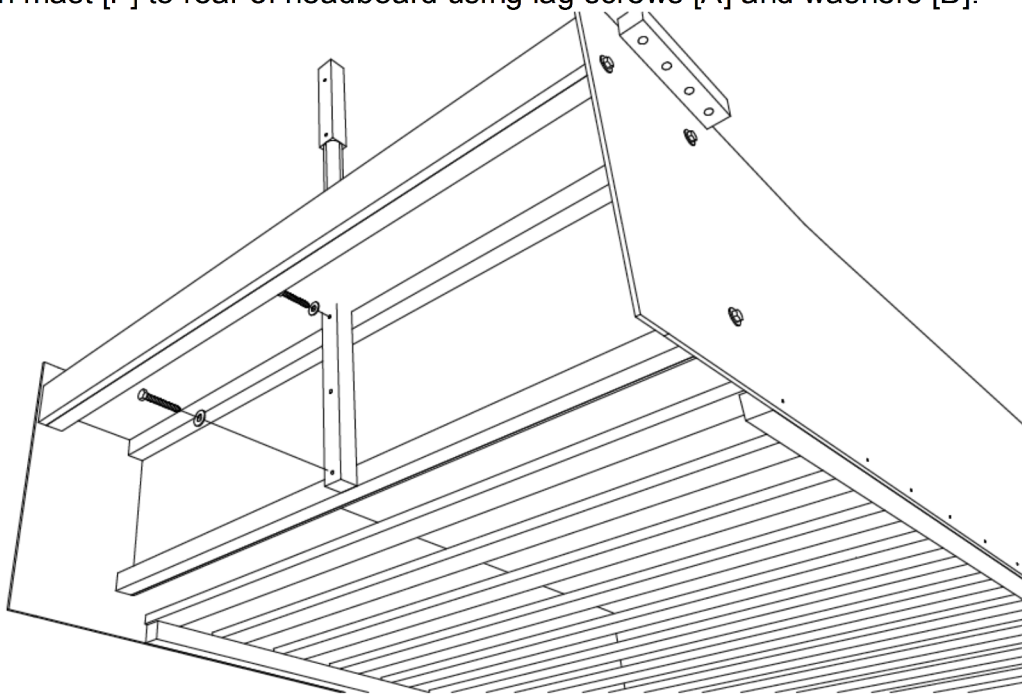
Assembly Steps

Step 1: Ensure there is enough room to lay out all parts. Carefully unpack all parts and hardware and check that everything is present and undamaged. It is helpful to have more than one person available for assembly.

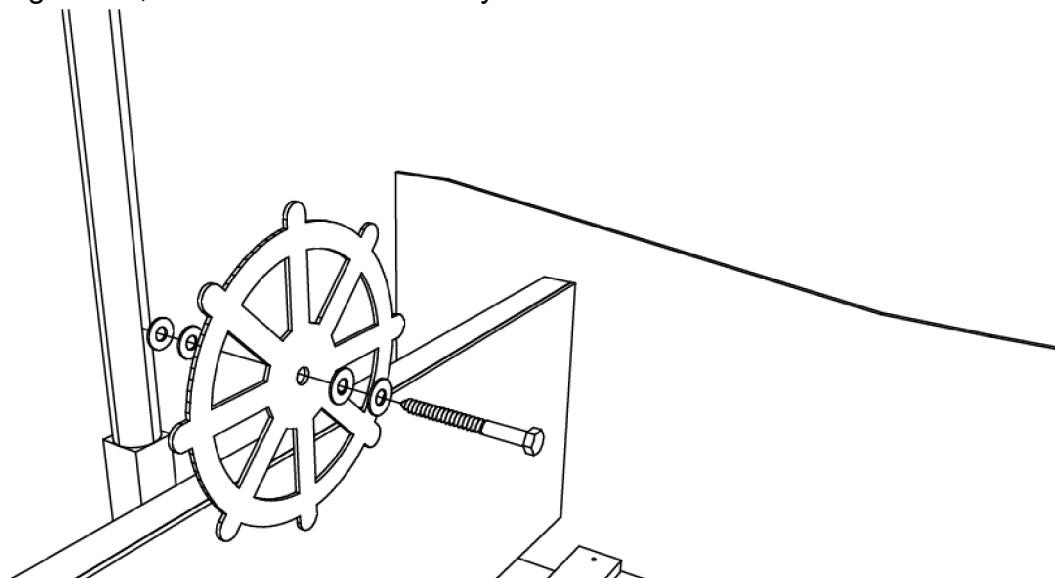
Step 2: Fasten shroud chains [J] to side assembly using screws [C].



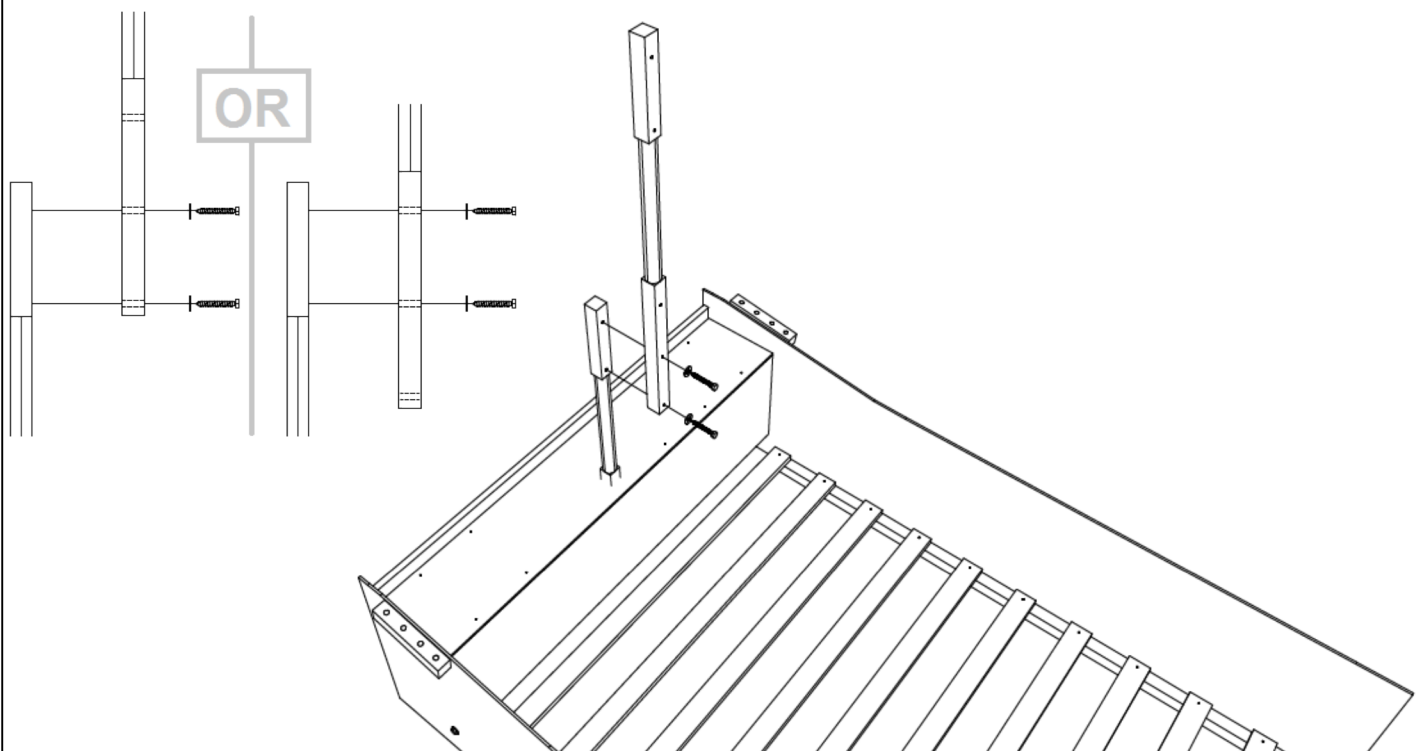
Step 3: Fasten mast [F] to rear of headboard using lag screws [A] and washers [B].



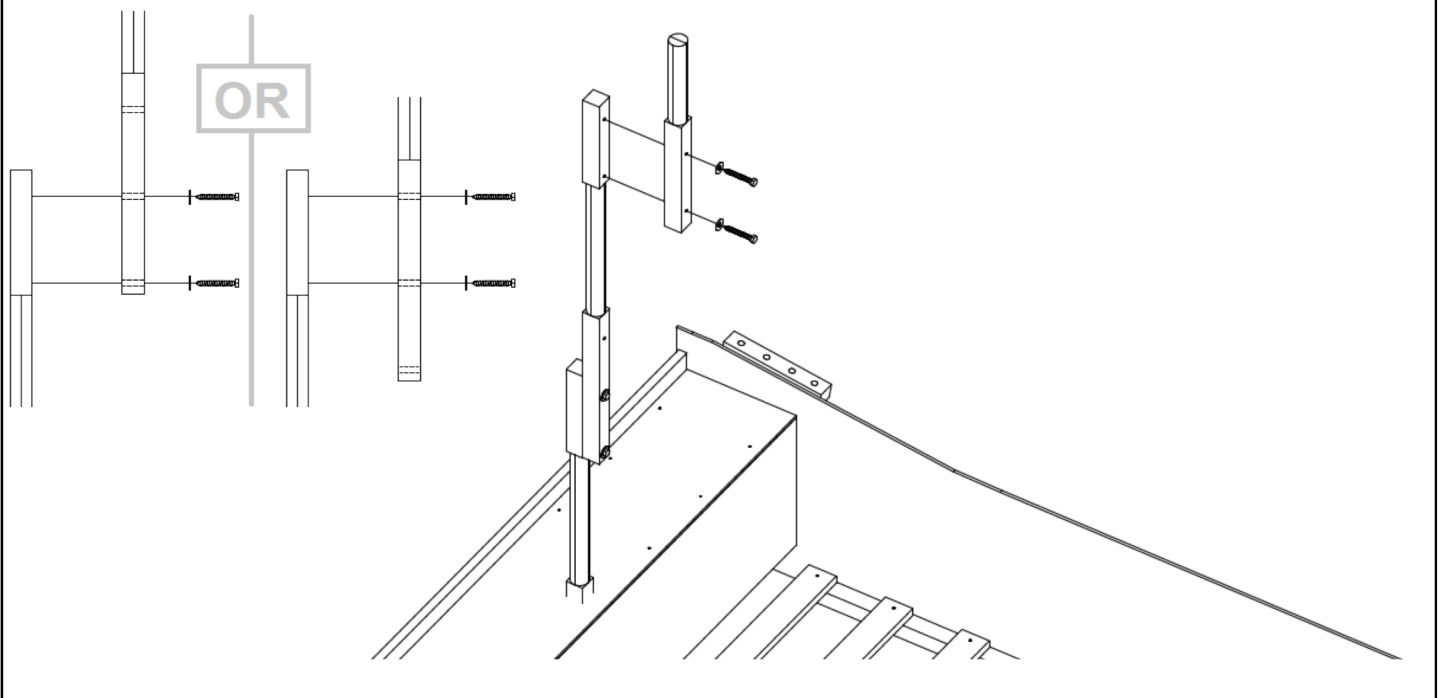
Step 3 - A: Fasten wheel [K] to mast using lag screw [L] and washers [B]. Use washers on each side of wheel as necessary for shimming. Back of lag screw should not protrude from rear of mast. Do not over-tighten lag screw; wheel should turn freely around screw.



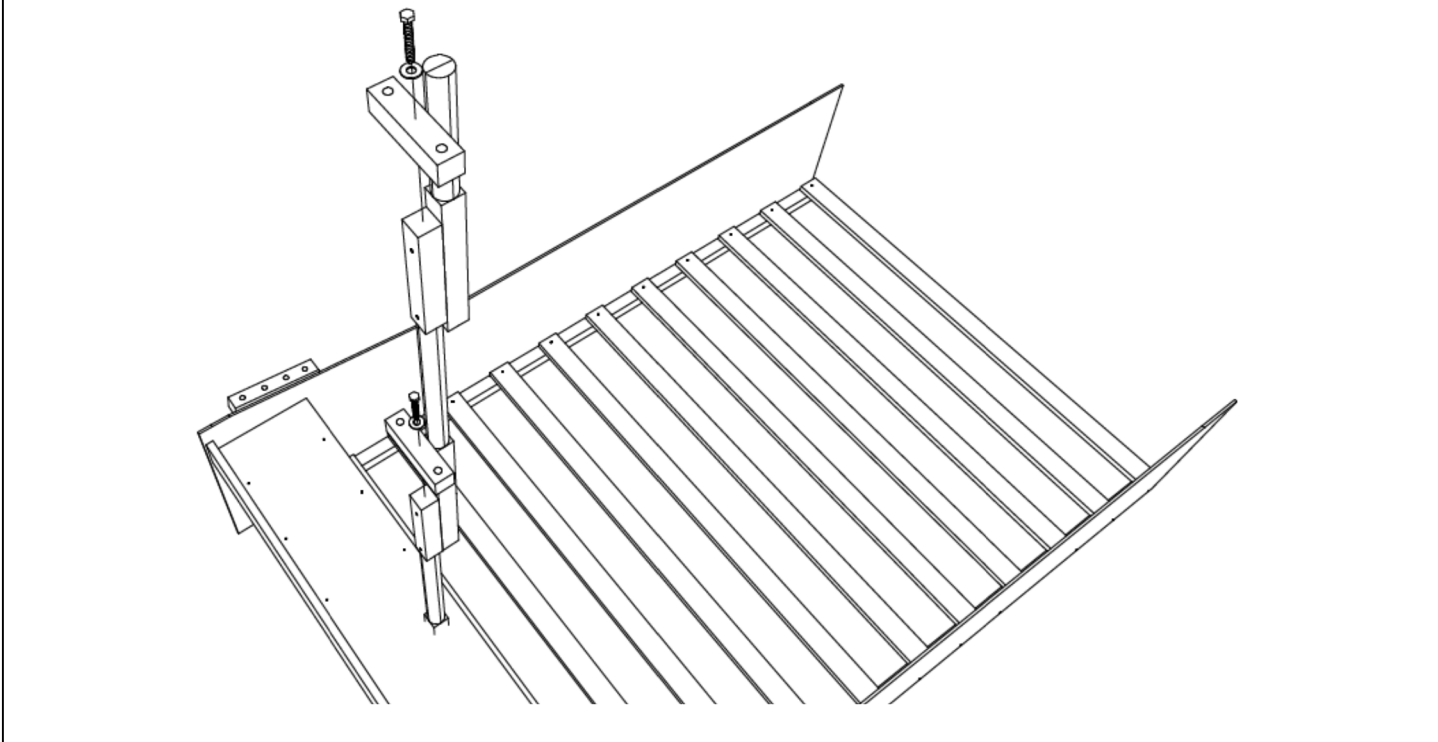
Step 4: Fasten mast [F] to mast [F] using lag screws [A] and washers [B]. Note that mast may be adjusted in upper or lower position to change overall height of finished mast assembly.



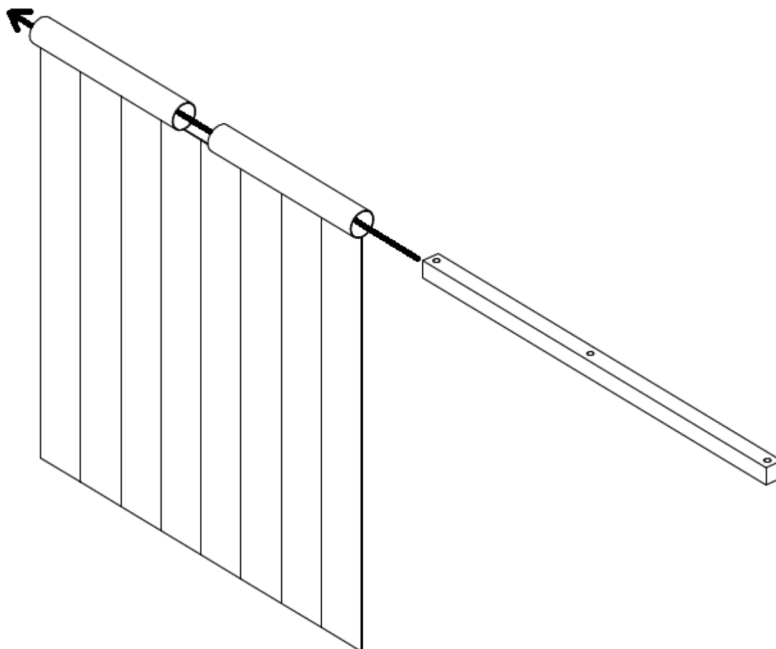
Step 5: Fasten top-mast [I] to mast [F] using lag screws [A] and washers [B]. Note that top-mast may be adjusted in upper or lower position to change overall height of finished mast assembly.



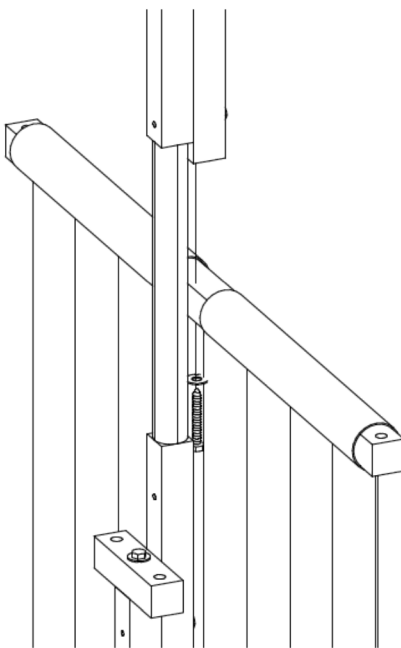
Step 6: Fasten top [G] to each mast [F] using lag screw [A] and washer [B]. Note that these holes may be drilled slightly off-center to allow top to be biased rear-ward for less interference with mast.



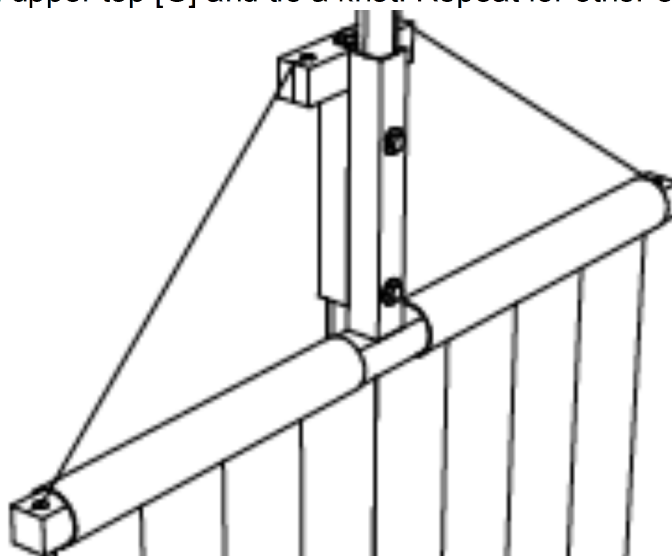
Step 7: Gently work the yard [H] through the top of the sail [D] so that hole in center of yard aligns with center of opening in sail.



Step 8: Fasten yard [H] to bottom of top-mast [I] using lag screw [A] and washer [B].



Step 9: Measure lengths of cord [E] sufficient for the following step (about 4' per side). Only cut to length when certain of proper length. Thread rope [E] through hole on end of yard [H], and tie a knot. Thread other end through upper top [G] and tie a knot. Repeat for other end of yard.



Step 10: Measure lengths of cord [E] sufficient for the following step (about 16' per side). Only cut to length when certain of proper length.

1) Thread rope [E] through hole on one side of the lower top [G] and tie a loop. Do not yet make the knot tight as other ropes will run through this loop.

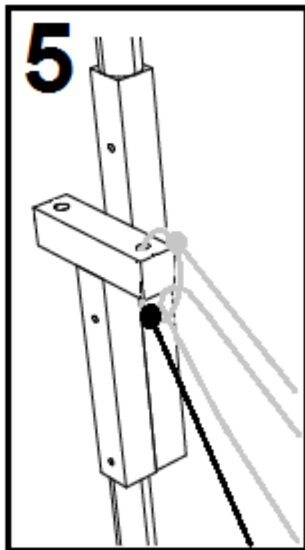
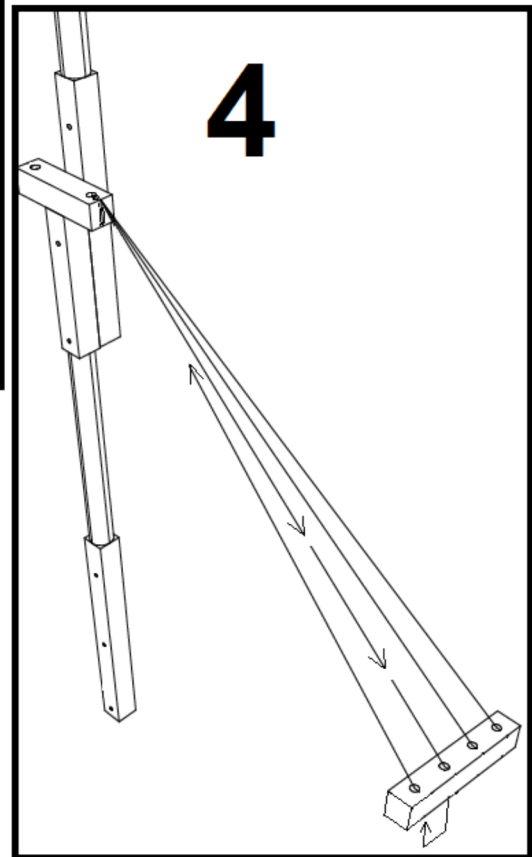
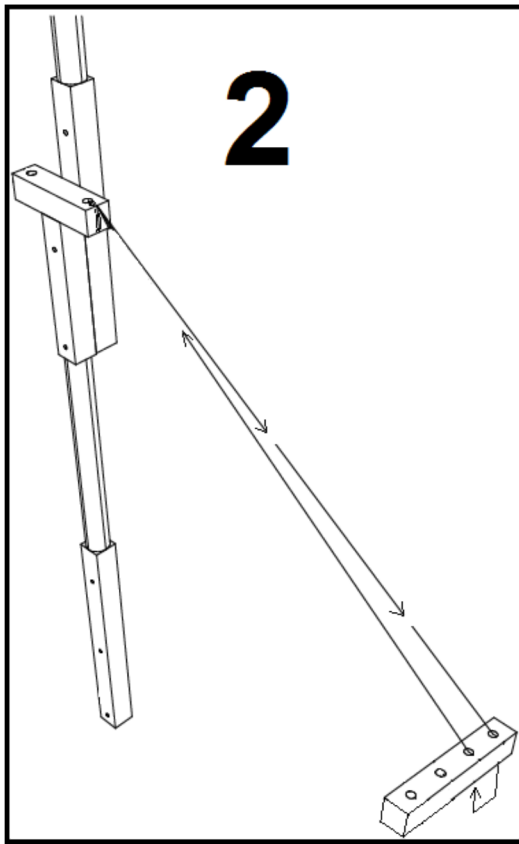
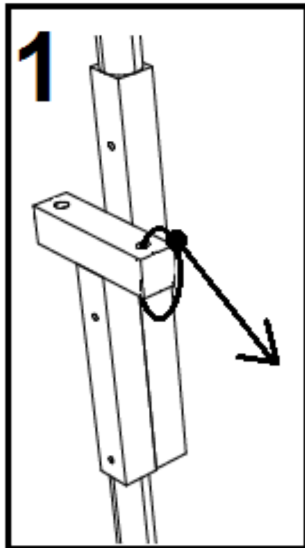
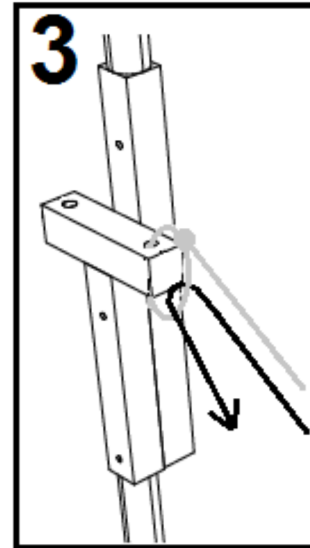
2) Continue running rope down to outer hole on shroud chains [J], and back up through the next hole, then back up to the loop on the top [G].

3) Run rope through the loop at the top [G].

4) Run rope down to the next hole in the shroud chains. Continue the rope over and up through the last hole in the chains and back up to the top [G].

5) Tie a knot to loop at top [G]. Tighten original knot from step (1).

Repeat for other side of mast.



Step 11: Tighten all hardware. Make sure all assembled parts are tight and secure.