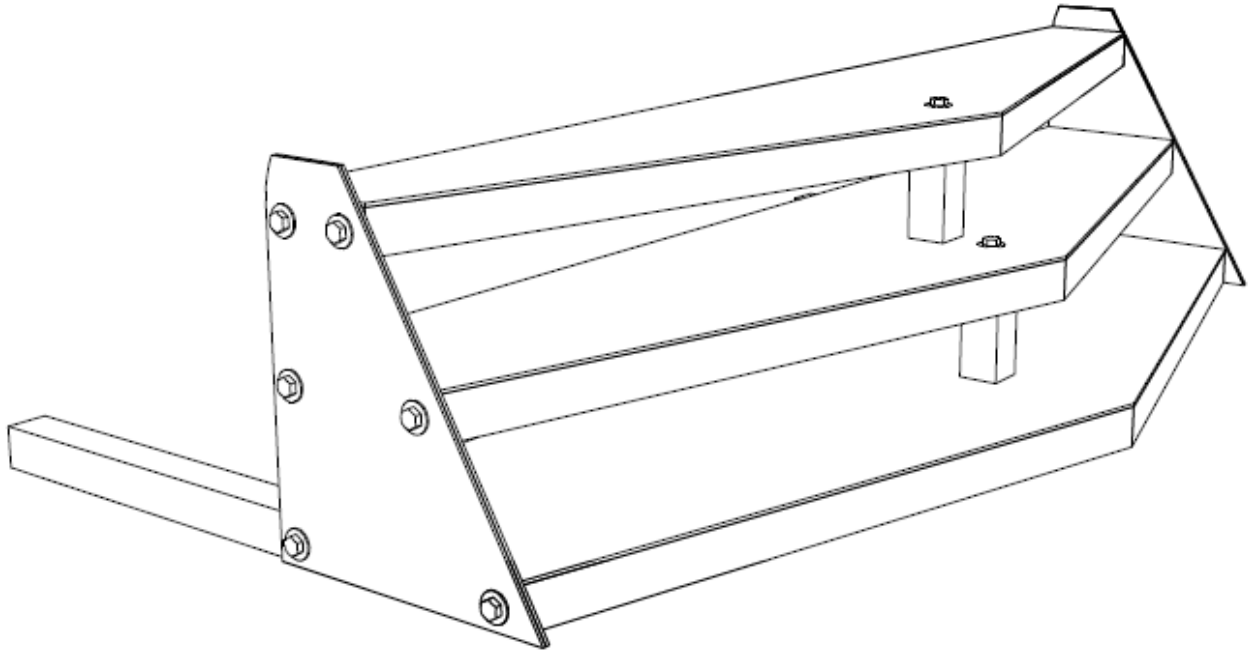


Instruction Manual

Bed Frame Accessory

Model LMSHLF-1



Read all instructions before assembly and use.
Keep instructions for future use.



ADULT ASSEMBLY REQUIRED

Due to the presence of small parts during assembly, keep out of reach of children until assembly is complete.



1900 Alfa Drive
Lancaster, PA 17601
(717) 269-8934
tradecraftspecialties@gmail.com
www.tradecraftspecialties.com

Use and Warnings

Your child's safety is our top priority. Please observe the following safety warnings to ensure the safe use of this product:

- **STRANGULATION HAZARD** - Never attach or hang items to any part of this product that are not designed for use with the product; for example, but not limited to, hooks, belts and jump ropes.
- Do not allow jumping or horseplay around or near this product.
- Do not use product if any parts are missing or damaged.
- Do not use substitute parts. Contact manufacturer should replacement parts be necessary.
- Before assembly and use, inspect product for damaged hardware, loose joints, missing pieces or sharp edges.
- Warning: hardware included with this product may have sharp points or edges. Assembly by an adult is required. Keep all loose hardware out of reach of children.
- Warning: small parts are a choking hazard for children. Make sure that all hardware is properly and tightly installed to prevent access to loose parts by children. Properly discard excess hardware after assembly to prevent access of loose parts to children. Properly discard all packing materials.

General Specifications

Assembled dimensions (approximate): 31" long, 50.5" (on full) or 35.5" (on twin) wide, 13" high.

Important Information

Each one of our products is handmade, hand painted, and hand packaged. Minor imperfections may occur that are not manufacturing defects, but rather a result of the handcrafting process that makes our products unique and special.

Care and Maintenance

- Check all fasteners periodically for tightness.
- Clean solid surfaces using a slightly damp cloth if necessary. Do not use any corrosive cleaning products or abrasives that may degrade or damage the surface. Furniture polish may be used to clean dust off solid surfaces.
- We recommend that any cleaning materials first be tested on a surface that would not be visible during the course of normal use.
- Use of a vaporizer close to this product may cause the surface to swell and the surface to peel.

Disassembly

To disassemble, reverse order of steps for assembly.

Assembly Notes

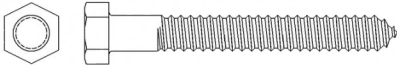

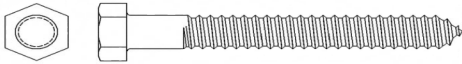
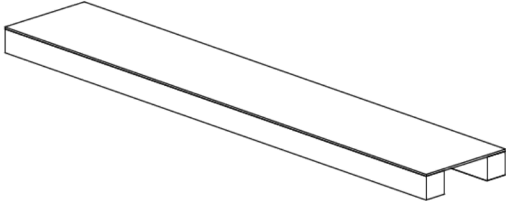
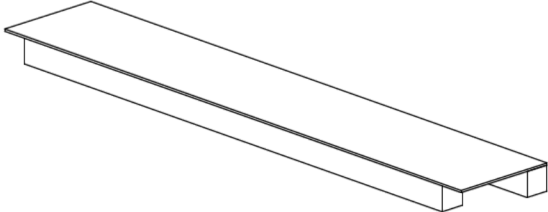
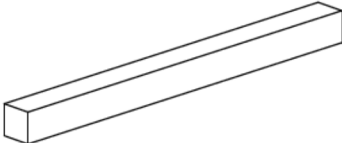


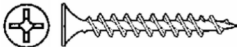
Hardware notes: do not fully tighten any fasteners until all hardware is in place. Failure to follow these instructions may cause fasteners to misalign during assembly. If using power tools to aid in assembly, use caution. Power tools may over-tighten fasteners and split or damage the material.

Tools required (not included):

Phillips head screw driver

7/16" wrench or adjustable wrench

Parts List

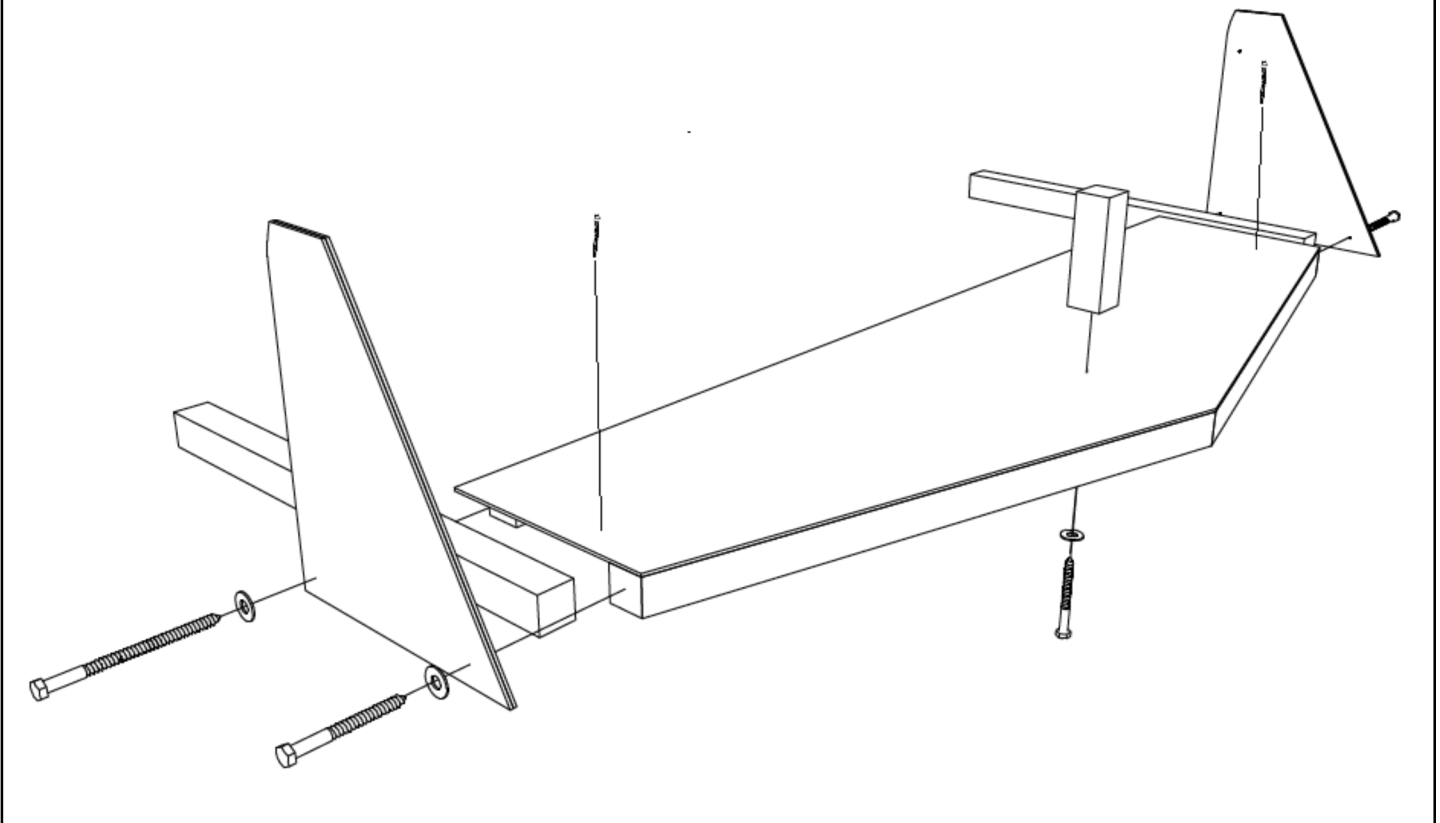
Part #:	Quantity:	Description:	Reference image only (not to scale):
[A]	(14)	1/4" Lag screw (long)	
[B]	(16)	1/4" Metal flat washer	
[D]	(2)	1/4" Lag screw (long)	
[E]	(2)	Top & middle shelf	
[F]	(1)	Lower shelf	
[G]	(2)	Support bar	
[H]	(2)	Side panel	
[I]	(2)	Vertical support bar	
[J]	(2)	Wood screw	

Assembly Steps

Step 1: Ensure there is enough room to lay out all parts. Carefully unpack all parts and hardware and check that everything is present and undamaged. It is helpful to have more than one person available for assembly.

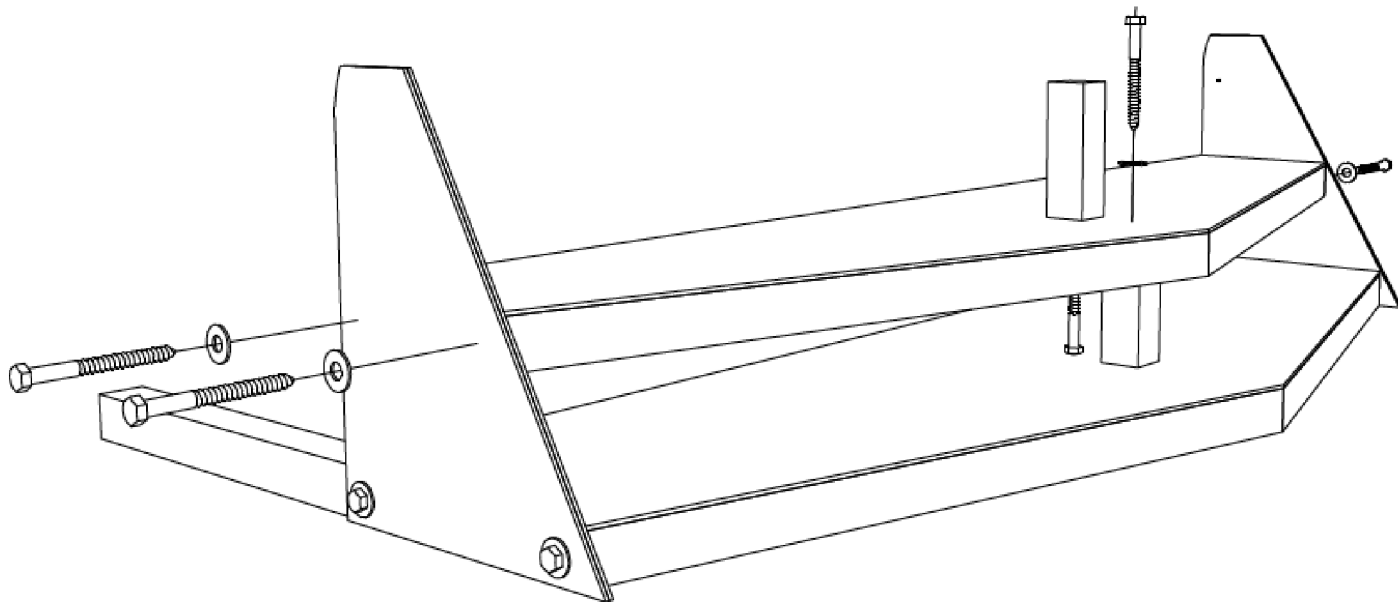
Step 2-A:

- Fasten front bottom shelf [F] to side panel [H] with lag screws [A] using (1) washer [B] on each lag screw.
- Fasten rear of bottom shelf to side panel through pre-drilled hole in support bar [G] with lag screws [D] using (1) washer [B] on each lag screw.
- Fasten one vertical support bar [I] through center of bottom shelf with lag screw [A] using (1) washer [B]
- Fasten end of support bar [G] to shelf using wood screw [J], each side. Note: this hole may not be pre-drilled.



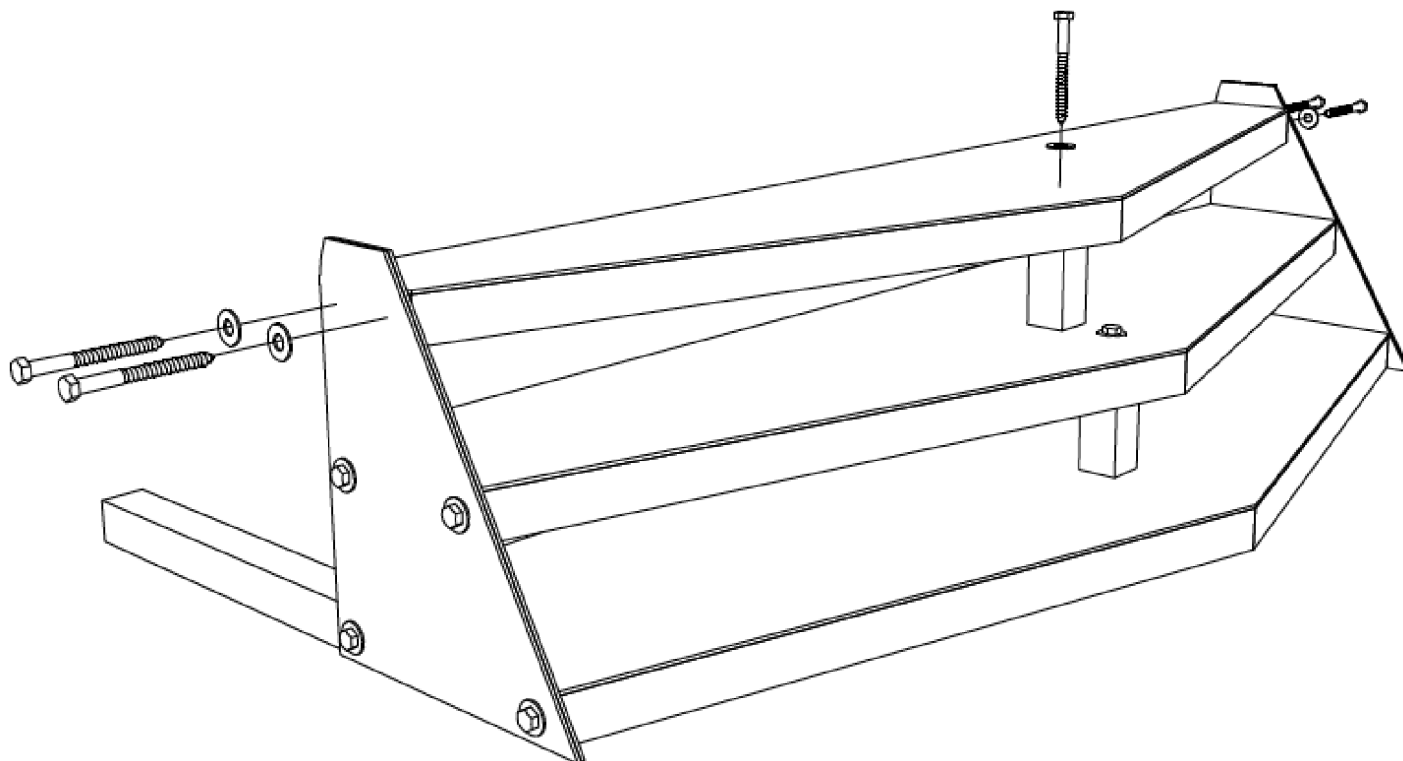
Step 2-B:

- Fasten middle shelf [E, larger] to side panel [H] with lag screws [A] using (1) washer [B] on each lag screw.
- Fasten both vertical support bars [I] through center of bottom shelf with lag screws [A] using (1) washer [B] on each screw.

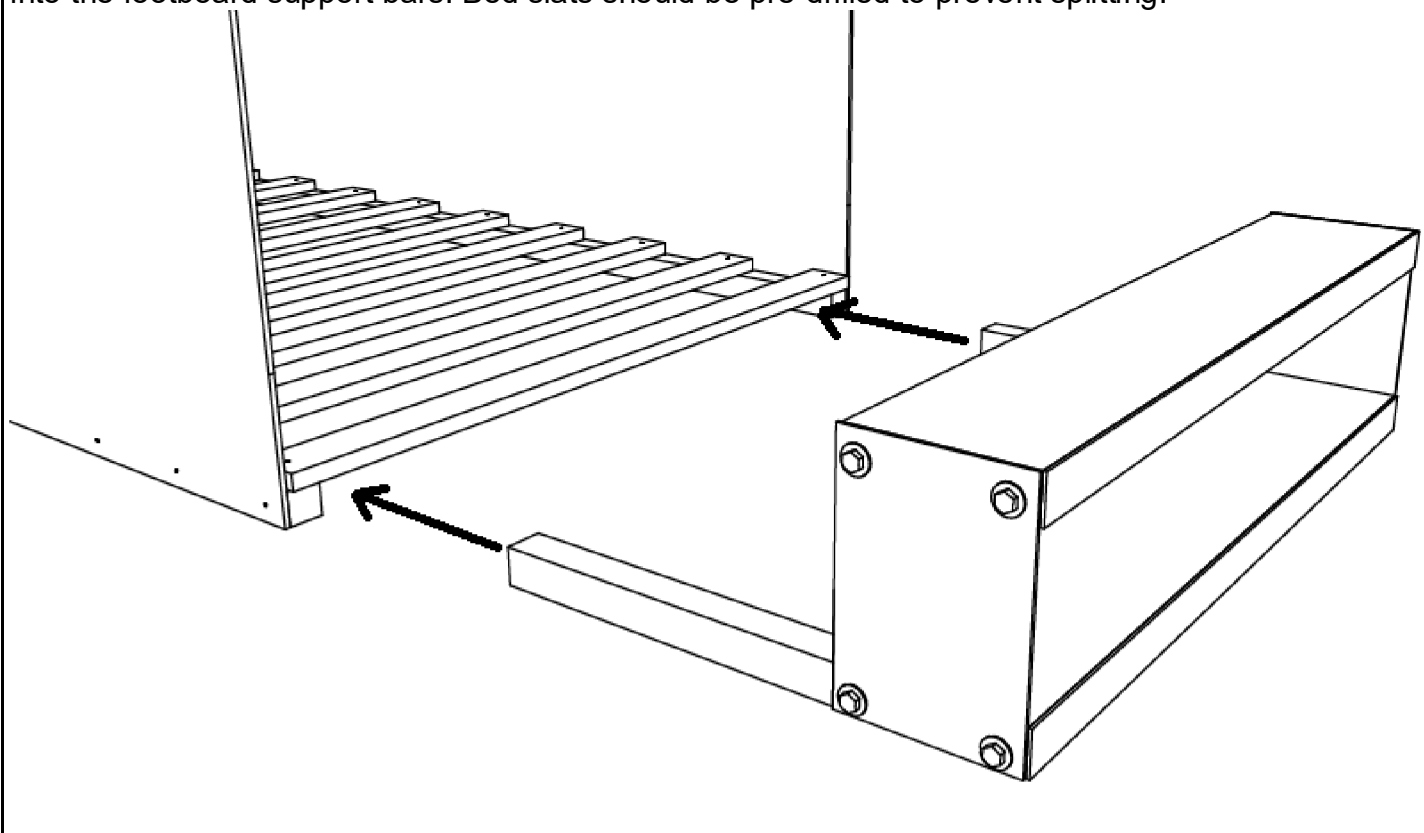


Step 2-C:

- Fasten top shelf [E, smaller] to side panel [H] with lag screws [A] using (1) washer [B] on each lag screw.
- Fasten vertical support bar [I] through center of bottom shelf with lag screws [A] using (1) washer [B]



Step 3: Slide footboard support bars under bed frame support slats until back of unit touches end of mattress. If desired, the footboard may be fastened to the bed frame by screws through the bed slats into the footboard support bars. Bed slats should be pre-drilled to prevent splitting.



Step 4: Tighten all hardware. Make sure all assembled parts are tight and secure.