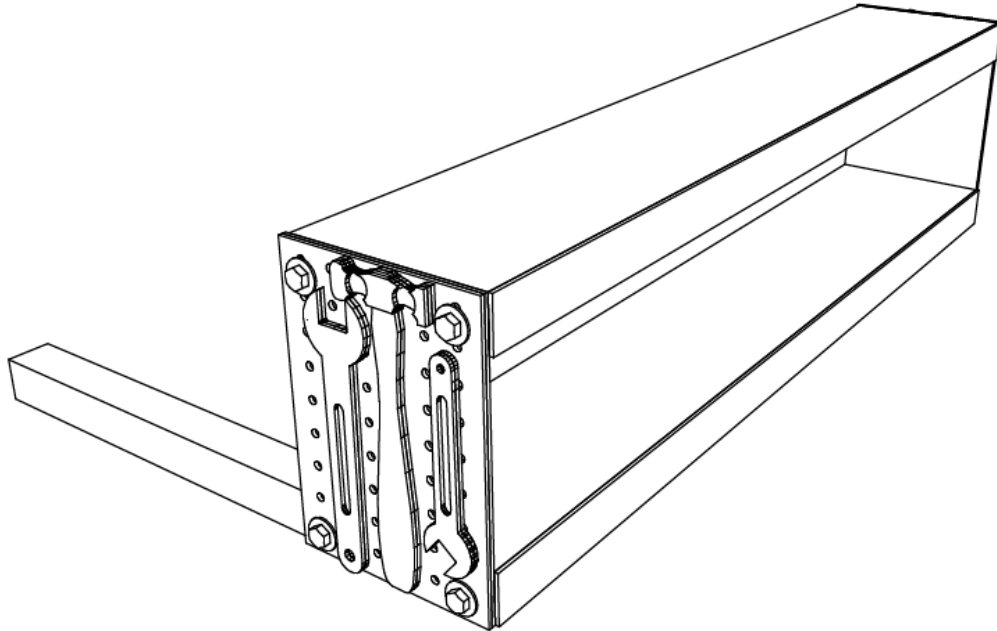


# Instruction Manual

---

Bed Frame Accessory

Model GASHLF-2



Read all instructions before assembly and use.  
Keep instructions for future use.



## **ADULT ASSEMBLY REQUIRED**

Due to the presence of small parts during assembly, keep out of reach of children until assembly is complete.



1900 Alfa Drive  
Lancaster, PA 17601  
(717) 269-8934  
tradecraftspecialties@gmail.com  
www.tradecraftspecialties.com

# Use and Warnings

---

Your child's safety is our top priority. Please observe the following safety warnings to ensure the safe use of this product:

- **STRANGULATION HAZARD** - Never attach or hang items to any part of this product that are not designed for use with the product; for example, but not limited to, hooks, belts and jump ropes.
- Do not allow jumping or horseplay around or near this product.
- Do not use product if any parts are missing or damaged.
- Do not use substitute parts. Contact manufacturer should replacement parts be necessary.
- Before assembly and use, inspect product for damaged hardware, loose joints, missing pieces or sharp edges.
- Warning: hardware included with this product may have sharp points or edges. Assembly by an adult is required. Keep all loose hardware out of reach of children.
- Warning: small parts are a choking hazard for children. Make sure that all hardware is properly and tightly installed to prevent access to loose parts by children. Properly discard excess hardware after assembly to prevent access of loose parts to children. Properly discard all packing materials.

## General Specifications

---

Assembled dimensions (approximate): 24" long, 50.5" (on full) or 35.5" (on twin) wide, 10" high.

## Important Information

---

Each one of our products is handmade, hand painted, and hand packaged. Minor imperfections may occur that are not manufacturing defects, but rather a result of the handcrafting process that makes our products unique and special.

## Care and Maintenance

---

- Check all fasteners periodically for tightness.
- Clean solid surfaces using a slightly damp cloth if necessary. Do not use any corrosive cleaning products or abrasives that may degrade or damage the surface. Furniture polish may be used to clean dust off solid surfaces.
- We recommend that any cleaning materials first be tested on a surface that would not be visible during the course of normal use.
- Use of a vaporizer close to this product may cause the surface to swell and the surface to peel.

# Disassembly

---

To disassemble, reverse order of steps for assembly.

## Assembly Notes

---

**Hardware notes:** do not fully tighten any fasteners until all hardware is in place. Failure to follow these instructions may cause fasteners to misalign during assembly. If using power tools to aid in assembly, use caution. Power tools may over-tighten fasteners and split or damage the material.

**Tools required (not included):**

Phillips head screw driver

7/16" wrench or adjustable wrench

# Parts List

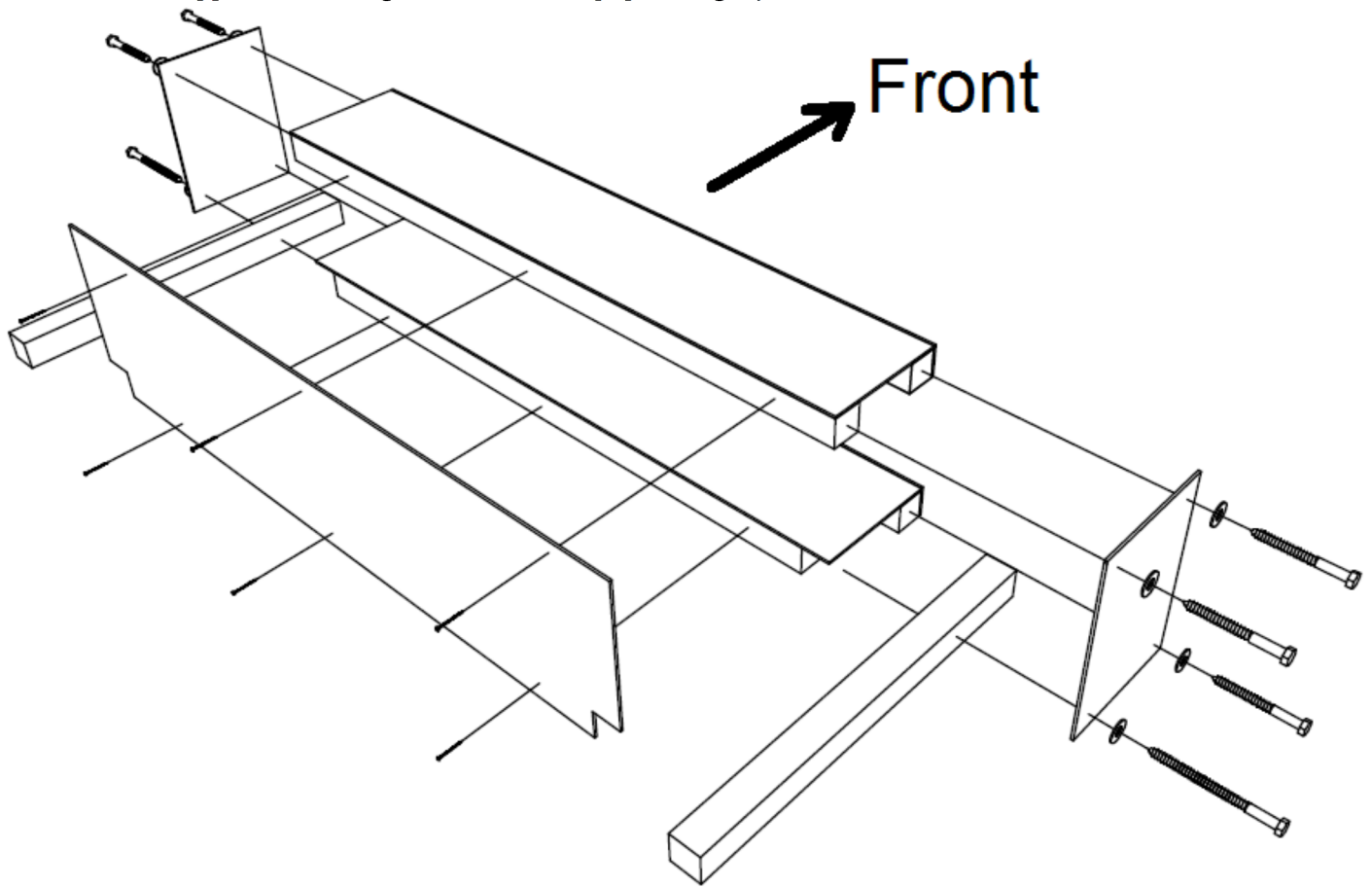
Part #:	Quantity:	Description:	Reference image only (not to scale):
[A]	(6)	1/4" Lag screw (long)	A technical drawing of a long lag screw with a hexagonal head and a threaded shaft.
[B]	(8)	1/4" Metal flat washer	A technical drawing of a flat washer with a central hole and a hexagonal outer edge.
[C]	(8)	Wood screw	A technical drawing of a wood screw with a Phillips head and a threaded shaft.
[D]	(2)	1/4" Lag screw (long)	A technical drawing of a lag screw with a hexagonal head and a threaded shaft.
[E]	(1)	Top shelf	A technical drawing of a long, thin rectangular shelf with a slightly raised edge on one side.
[F]	(1)	Lower shelf	A technical drawing of a long, thin rectangular shelf with a slightly raised edge on one side, similar to the top shelf but shorter.
[G]	(2)	Support bar	A technical drawing of a short, rectangular support bar.
[H]	(2)	Side panel	A technical drawing of a rectangular side panel.
[I]	(1)	Rear panel	A technical drawing of a long, rectangular rear panel with a notch on one side.

# Assembly Steps

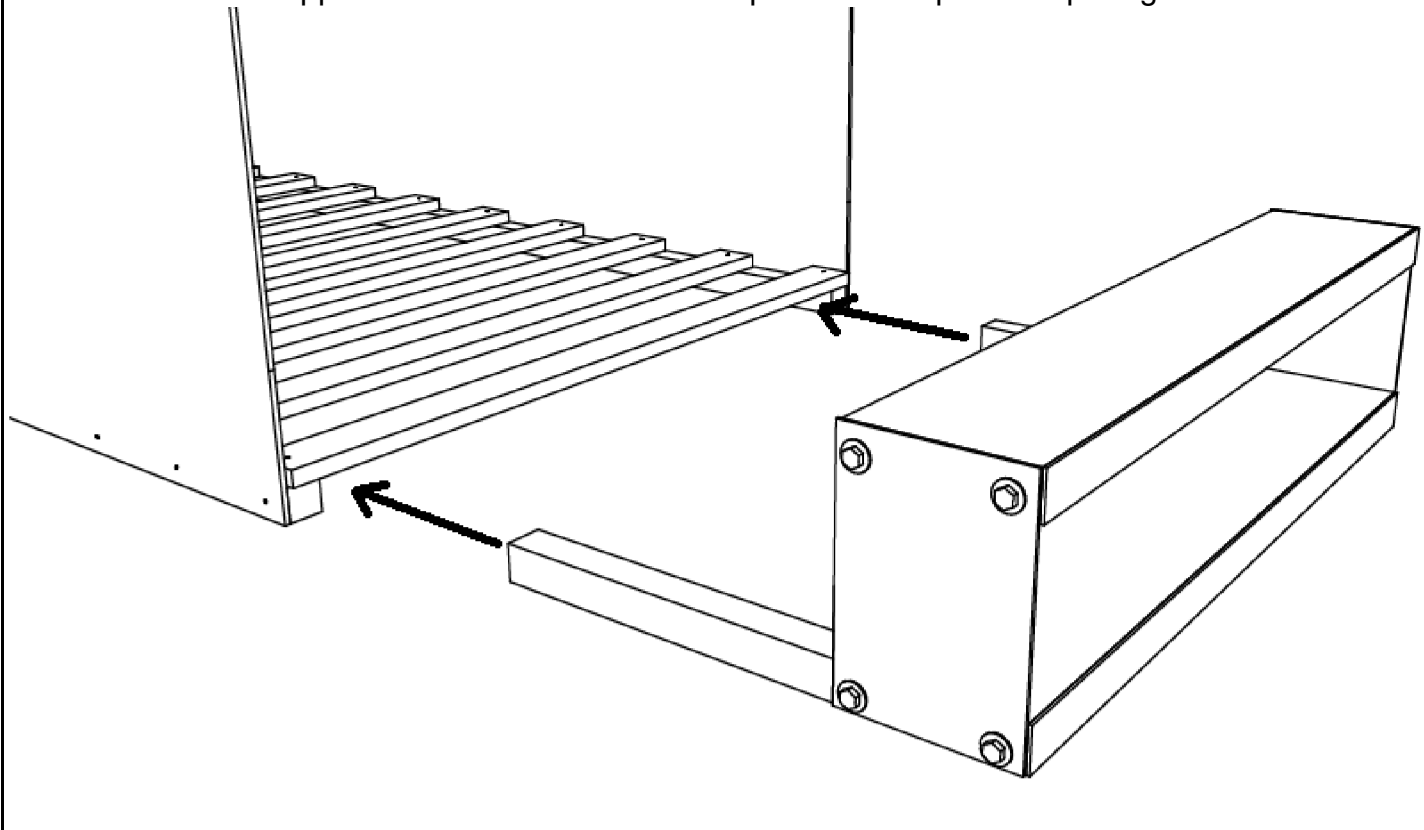
**Step 1:** Ensure there is enough room to lay out all parts. Carefully unpack all parts and hardware and check that everything is present and undamaged. It is helpful to have more than one person available for assembly.

**Step 2:**

- Fasten top shelf [E] to side panel [H] with lag screws [A] using (1) washer [B] on each lag screw.
- Fasten front of lower shelf [F] to side panel with lag screws [A] using (1) washer [B] on each lag screw.
- Fasten rear of lower shelf to side panel through pre-drilled hole in support bar [G] with lag screws [D] using (1) washer [B] on each lag screw.
- Fasten back [I] to unit using wood screws [C] through pre-drilled holes.



**Step 3:** Slide footboard support bars under bed frame support slats until back of unit touches end of mattress. If desired, the footboard may be fastened to the bed frame by screws through the bed slats into the footboard support bars. Bed slats should be pre-drilled to prevent splitting.



**Step 4:** Tighten all hardware. Make sure all assembled parts are tight and secure.