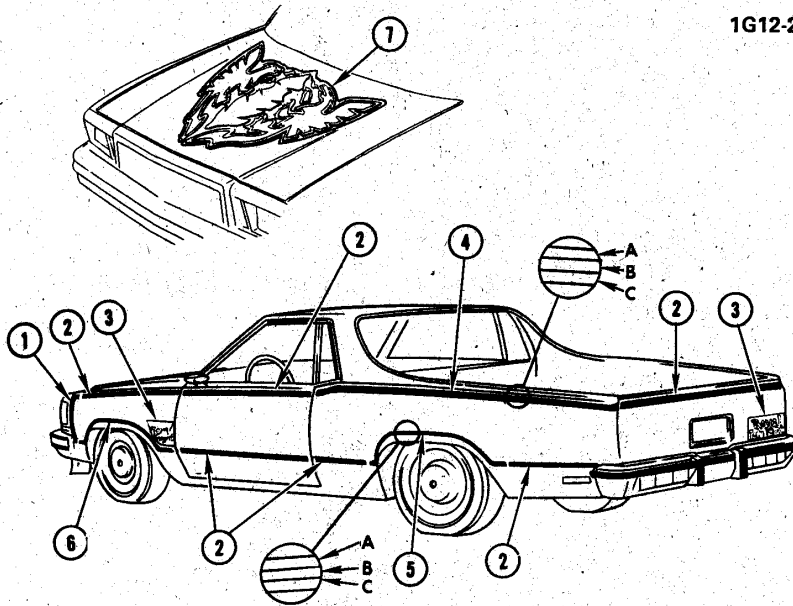


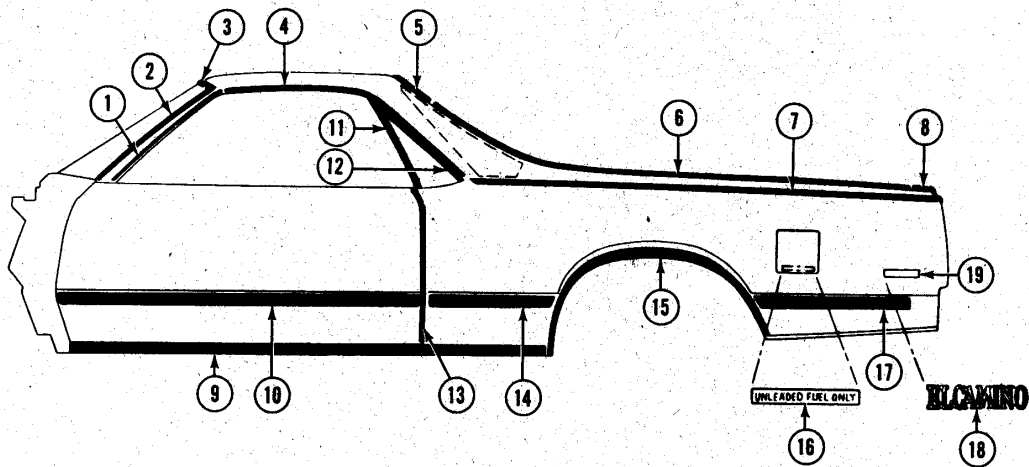
1982 G80 STRIPES/BODY & DECALS (W/Z15 SUPER SPORT)


1.	8.132 STRIPE, FDR WHL OPG-LH (A-LT RED/B-MED RED/C-DK RED)	470247
	N.S. STRIPE, FDR WHL OPG-RH (A-LT RED/B-MED RED/C-DK RED)	
	N.S. STRIPE, FDR WHL OPG-LH (A-LT GLD/B-MED GLD/C-DK GLD)	
	8.132 STRIPE, FDR WHL OPG-RH (A-LT GLD/B-MED GLD/C-DK GLD)	475620
	8.132 STRIPE, FDR WHL OPG-LH (A-DK BLU/B-MED BLU/C-LT BLU)	14017633
	8.132 STRIPE, FDR WHL OPG-RH (A-DK BLU/B-MED BLU/C-LT BLU)	14017634
2.	12.112 STRIPE, DR, R/QTR (A-LT RED/B-MED RED/C-DK RED)	470251
	12.112 STRIPE, DR, R/QTR (A-LT GLD/B-MED GLD/C-DK GLD)	475630
	12.112 STRIPE, DR, R/QTR (A-LT BLU/B-MED BLU/C-DK BLU)	14017639
3.	N.S. STRIPE, QTR WHL OPG-LH (A-LT RED/B-MED RED/C-DK RED)	
	12.116 STRIPE, QTR WHL OPG-RH (A-LT RED/B-MED RED/C-DK RED)	470250
	N.S. STRIPE, QTR WHL OPG-LH (A-LT GLD/B-MED GLD/C-DK GLD)	
	N.S. STRIPE, QTR WHL OPG-RH (A-LT GLD/B-MED GLD/C-DK GLD)	
	N.S. STRIPE, QTR WHL OPG-LH (A-DK BLU/B-MED BLU/C-LT BLU)	
	N.S. STRIPE, QTR WHL OPG-RH (A-DK BLU/B-MED BLU/C-LT BLU)	
4.	12.112 DECAL, DR "SUPER SPORT" (LT RED/MED RED/DK RED/BLA)	470289
	12.112 DECAL, DR "SUPER SPORT" (LT GLD/MED GLD/DK GLD/BLA)	475633
	12.112 DECAL, DR "SUPER SPORT" (LT BLU/MED BLU/DK BLU/BLA)	14017626
5.	12.182 DECAL, E/GATE "SUPER SPORT" (LT RED/MED RED/DK RED/BLA)	470291
	12.182 DECAL, E/GATE "SUPER SPORT" (LT GLD/MED GLD/DK GLD/BLA)	475636
	12.182 DECAL, E/GATE "SUPER SPORT" (LT BLU/MED BLU/DK BLU/BLA)	14017625
6.	N.S. DECAL, E/GATE "CONQUISTA" (BLA/FLAME)	
	12.182 DECAL, E/GATE "CONQUISTA" (GLD/ORN)	475207
	N.S. DECAL, E/GATE "CONQUISTA" (BLU/LIME)	
	12.182 DECAL, E/GATE "CONQUISTA" (MED BLU/DK BLU)	14017628



1982 G80 STRIPES/BODY & DECALS (W/Z16-ROYAL KNIGHT)

1.	N.S. STRIPE, FDR EXT-LH (A-DK RED/B-MED RED/C-LT RED)	
	N.S. STRIPE, FDR EXT-RH (A-DK RED/B-MED RED/C-LT RED)	
	N.S. STRIPE, FDR EXT-LH (A-LT BLU/B-MED BLU/C-DK BLU)	
	N.S. STRIPE, FDR EXT-RH (A-LT BLU/B-MED BLU/C-DK BLU)	
	N.S. STRIPE, FDR EXT-LH (A-BRN/B-ORN/C-GLD)	
	N.S. STRIPE, FDR EXT-RH (A-BRN/B-ORN/C-GLD)	
2.	8.132 STRIPE, FDR, DR, QTR, E/GATE (A-DK RED/B-MED RED/C-LT RED)(CUT AS REQD)	470251
	8.132 STRIPE, FDR, DR, QTR, E/GATE (A-LT BLU/B-MED BLU/C-DK BLU)(CUT AS REQD)	14017639
	8.132 STRIPE, FDR, DR, QTR, E/GATE (A-BRN/B-ORN/C-GLD) (CUT AS REQD)	14002819
3.	8.147 DECAL, "ROYAL KNIGHT" FDR & E/GATE (LT RED/RED/BLA)	14006594
	8.147 DECAL, "ROYAL KNIGHT" FDR & E/GATE (LT BLU/BLU/BLA)	14017629
	8.147 DECAL, "ROYAL KNIGHT" FDR & E/GATE (GLD/ORN BRN/BLA)	14006596
4.	N.S. STRIPE, SI UPR-LH (A-DK RED/B-MED RED/C-LT RED)	
	N.S. STRIPE, SI UPR-RH (A-DK RED/B-MED RED/C-LT RED)	
	N.S. STRIPE, SI UPR-LH (A-LT BLU/B-MED BLU/C-DK BLU)	
	N.S. STRIPE, SI UPR-RH (A-LT BLU/B-MED BLU/C-DK BLU)	
	N.S. STRIPE, SI UPR-LH (A-BRN/B-ORN/C-GLD)	
	N.S. STRIPE, SI UPR-RH (A-BRN/B-ORN/C-GLD)	
5.	N.S. STRIPE, QTR WHL OPG-LH (A-LT RED/B-MED RED/C-DK RED)	
12.116	STRIPE, QTR WHL OPG-RH (A-LT RED/B-MED RED/C-DK RED)	470250
	N.S. STRIPE, QTR WHL OPG-LH (A-DK BLU/B-MED BLU/C-LT BLU)	
	N.S. STRIPE, QTR WHL OPG-RH (A-DK BLU/B-MED BLU/C-LT BLU)	
	N.S. STRIPE, QTR WHL OPG-LH (A-GLD/B-ORN/C-BRN)	
	N.S. STRIPE, QTR WHL OPG-RH (A-GLD/B-ORN/C-BRN)	
6.	8.132 STRIPE, FDR WHL OPG-LH (A-LT RED/B-MED RED/C-DK RED)	470247
	N.S. STRIPE, FDR WHL OPG-RH (A-LT RED/B-MED RED/C-DK RED)	
	8.132 STRIPE, FDR WHL OPG-LH (A-DK BLU/B-MED BLU/C-LT BLU)	14017633
	8.132 STRIPE, FDR WHL OPG-RH (A-DK BLU/B-MED BLU/C-LT BLU)	14017634
	8.132 STRIPE, FDR WHL OPG-LH (A-GLD/B-ORN/C-BRN)	14000125
	8.132 STRIPE, FDR WHL OPG-RH (A-GLD/B-ORN/C-BRN)	14000126
7.	8.055 DECAL, HOOD (LT RED/MED RED/DK RED/BLA)	14006591
	N.S. DECAL, HOOD (LT BLU/MED BLU/DK BLU/BLA)	
	N.S. DECAL, HOOD (GOLD/ORN/BRN/BLA)	




FBS-1160

1G12-041

1982-1987 G80 MOLDINGS/BODY-SIDE

NOTE: FBS-1160

1.	12.075 MOLDING, W/S PLR-RH (1982-83)	20489134
	12.075 MOLDING, W/S PLR-LH (1982-83)	20489135
	12.075 MOLDING, W/S PLR-RH (1984-87)	20444638
	12.075 MOLDING, W/S PLR-LH (1984-87)	20444639
2.	10.093 MOLDING, W/S SI-RH (BRI)	20364064
	10.093 MOLDING, W/S SI-LH (BRI)	20364065
3.	10.093 MOLDING, W/S UPR (BRI)	20364057
4.	12.075 MOLDING, RF DRIP-RH (1982-84)(*1)	20095954
	12.075 MOLDING, RF DRIP-LH (1982-84)(*1)	20095955
	12.075 MOLDING, RF DRIP-RH (1984-87)(*2)	20523798
	12.075 MOLDING, RF DRIP-LH (1984-87)(*2)	20523799
5.	12.075 MOLDING, RF PNL AT B/W-RH	20592906
	12.075 MOLDING, RF PNL AT B/W-LH	20592907
6.	12.116 MOLDING, RR QTR PINCH WELD FRT-RH	20592904
	12.116 MOLDING, RR QTR PINCH WELD FRT-LH	20592905
7.	12.116 MOLDING KIT, RR QTR UPR-RH (W/D91)	9635108
	12.116 MOLDING KIT, RR QTR UPR-LH (W/D91)	9635109
8.	12.116 MOLDING, RR QTR PINCH WELD RR-RH	20009028
	12.116 MOLDING, RR QTR PINCH WELD RR-LH	20009029
9.	8.304 MOLDING, BODY SILL-RH (EXC Z15)	14011314
	8.304 MOLDING, BODY SILL-LH (EXC Z15)	14011313
10.	12.112 MOLDING, F/D (BLACK-19Q)(W/BW2)(*3)	1155614
	12.112 MOLDING KIT, F/D LWR-RH (W/BX8)	9635052
	12.112 MOLDING KIT, F/D LWR-LH (W/BX8)	9635053
11.	11.031 MOLDING, Q/WDO FRT-RH (W/B24)	20454040
	11.031 MOLDING, Q/WDO FRT-LH (W/B24)	20454041
	11.031 MOLDING, Q/WDO FRT-RH (EXC Y07 1982-84)(EXC B24 1985-87)	20036118
	11.031 MOLDING, Q/WDO FRT-LH (EXC Y07 1982-84)(EXC B24 1985-87)	20036119
12.	11.031 MOLDING, Q/WDO UPR-RH (BLACK)	3082492
	11.031 MOLDING, Q/WDO UPR-LH (BLACK)	3082493
13.	10.352 MOLDING, F/D EDGE GRD-RH (1982-83)(W/B93 1985-87)	20060935
	10.352 MOLDING, F/D EDGE GRD-LH (1982-83)(W/B93 1985-87)	20060936
14.	12.116 MOLDING, RR QTR FRT (BLACK-19Q)(W/BW2 1982-87)(*3)	1155769
	12.116 MOLDING KIT, RR QTR FRT-RH (W/BX8)	9635110

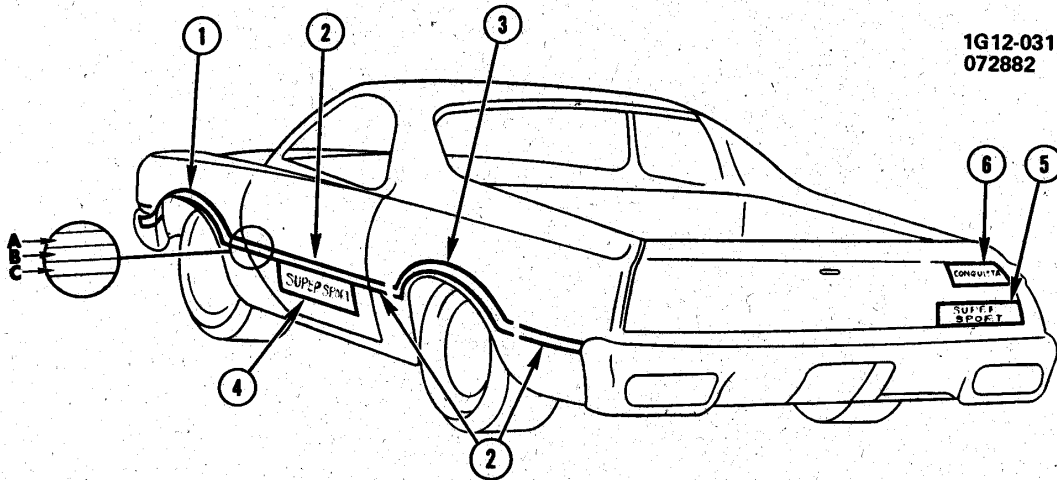
14.	12.118	MOLDING KIT , RR QTR FRT-LH (W/BX8)	9635111
15.	12.118	MOLDING KIT , RR WHL OPG-RH (W/BX8)	9635112
	12.118	MOLDING KIT , RR WHL OPG-LH (W/BX8)	9635113
	12.118	MOLDING KIT , RR WHL OPG-RH (EXC BX3 1982-84)(EXC BX8 1985)	9635114
	12.118	MOLDING KIT , RR WHL OPG-LH (EXC BX3 1982-84)(EXC BX8 1985)	9635115
16.	3.028	LABEL , "UNLEADED FUEL ONLY"	20072800
17.	12.118	MOLDING , RR QTR RR-RH (BLACK-19Q)(W/BW2 1982-87)(*3)	20192552
	12.118	MOLDING , RR QTR RR-LH (BLACK-19Q)(W/BW2 1982-87)(*3)	20192563
	12.118	MOLDING KIT , RR QTR RR-RH (W/BX8)	9635106
	12.118	MOLDING KIT , RR QTR RR-LH (W/BX8)*	9635107
18.	12.118	PLATE , NA RR QTR "EL CAMINO"	3064881
19.	2.575	LAMP , RR SI MKR (THE FOLLOWING COMPONENT PARTS ALSO SERVICED)	913417
	2.575	GASKET , RR SI MKR LP MT	5969265
	2.575	SOCKET , RR SI MKR LP (INCL CABLE)	6298886

NOTE 1: MOLDING HAS TELESCOPIC MATING END, WITH NO JOINT PLATE ON WINDSHIELD PILLAR ASSEMBLY.

NOTE 2: MOLDING HAS BUTT JOINT TOGETHER WITH A JOINT PLATE ON THE WINDSHIELD PILLAR ASSEMBLY.

NOTE 3: SEE CHART IN GROUP 8.132 FOR USAGE.

1G12-031
072882



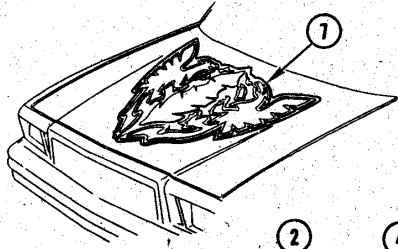
1G12-031

1983 G80 STRIPES/BODY (W/Z15 SUPER SPORT)

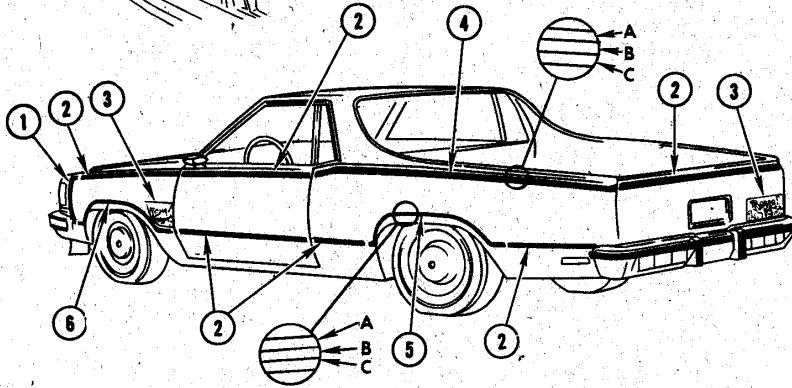
1.	8.132 STRIPE, FDR WHL OPG-LH(*6)	14061457
	8.132 STRIPE, FDR WHL OPG-RH(*6)	14061458
	8.132 STRIPE, FDR WHL OPG-LH(*7)	14061459
	8.132 STRIPE, FDR WHL OPG-RH(*7)	14061460
	8.132 STRIPE, FDR WHL OPG-LH(*8)	14061461
	8.132 STRIPE, FDR WHL OPG-RH(*8)	14061462
	8.132 STRIPE, FDR WHL OPG-LH(*9)	14061463
	8.132 STRIPE, FDR WHL OPG-RH(*9)	14061464
	8.132 STRIPE, FDR WHL OPG-LH(*10)	14061465
	8.132 STRIPE, FDR WHL OPG-RH(*10)	14061466
2.	12.112 STRIPE, DR, R/QTR(*1)	14061442
	12.112 STRIPE, DR, R/QTR(*2)	14061443
	12.112 STRIPE, DR, R/QTR(*3)	14061444
	12.112 STRIPE, DR, R/QTR(*4)	14061445
	12.112 STRIPE, DR, R/QTR(*5)	14061446
3.	12.116 STRIPE, QTR WHL OPG-RH(*6)	14061477
	12.116 STRIPE, QTR WHL OPG-LH(*6)	14061478
	12.116 STRIPE, QTR WHL OPG-RH(*7)	14061479
	12.116 STRIPE, QTR WHL OPG-LH(*7)	14061480
	12.116 STRIPE, QTR WHL OPG-RH(*8)	14061481
	12.116 STRIPE, QTR WHL OPG-LH(*8)	14061482
	12.116 STRIPE, QTR WHL OPG-RH(*9)	14061483
	12.116 STRIPE, QTR WHL OPG-LH(*9)	14061484
	12.116 STRIPE, QTR WHL OPG-RH(*10)	14061485
	12.116 STRIPE, QTR WHL OPG-LH(*10)	14061486
4.	N.S. DECAL, DR "SUPER SPORT"(*1)	
	12.112 DECAL, DR "SUPER SPORT"(*2)	14062184
	N.S. DECAL, DR "SUPER SPORT"(*3)	
	12.112 DECAL, DR "SUPER SPORT"(*4)	14062186
	N.S. DECAL, DR "SUPER SPORT"(*5)	
5.	12.182 DECAL, E/GATE "SUPER SPORT"(*1)	14062188
	12.182 DECAL, E/GATE "SUPER SPORT"(*2)	14062189
	N.S. DECAL, E/GATE "SUPER SPORT"(*3)	
	12.182 DECAL, E/GATE "SUPER SPORT"(*4)	14062191
	N.S. DECAL, E/GATE "SUPER SPORT"(*5)	
6.	12.182 DECAL, E/GATE "CONQUISTA" (RED-CHARCOAL)(19M)	14061434
	12.182 DECAL, E/GATE "CONQUISTA" (CREAM-DK BLUE MET)(27M)	14061435
	12.182 DECAL, E/GATE "CONQUISTA" (GRAYFERN-CREAM)(48M)	14061436
	12.182 DECAL, E/GATE "CONQUISTA" (CREAM-DK BRIAR)(67M)	14061437

NOTE 1: CHARCOAL-RED-SILVER-BLACK
NOTE 2: DK BLUE MET-LT BLUE MET-CREAM-BLACK

NOTE 3: LT GRAYFERN-DK GRAYFERN-CREAM-BLACK
NOTE 4: DK BRAIR-MED BRIAR MET-CREAM-BLACK
NOTE 5: MED MAPLE MET-LT MAPLE MET-CREAM-BLACK
NOTE 6: CHARCOAL-RED-SILVER
NOTE 7: DK BLUE MET-LT BLUE MET-CREAM
NOTE 8: LT GRAYFERN-DK GRAYFERN-CREAM
NOTE 9: DK BRAIR-MED BRIAR MET-CREAM
NOTE 10: MED SCARLET MET-LT MAPLE MET-CREAM



1G12-019
042782

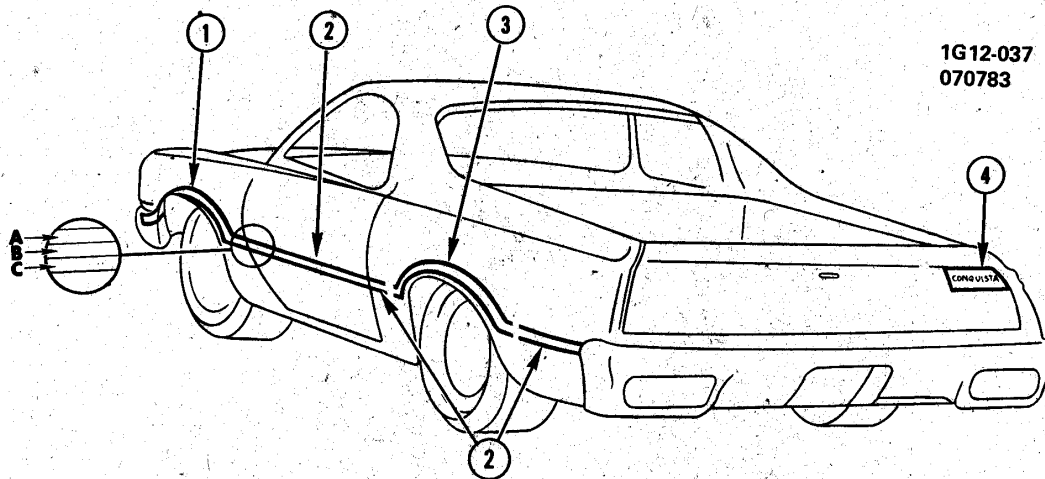


1G12-019

1983 G80 STRIPES/BODY & DECALS (W/Z16-ROYAL KNIGHT)

1.	N.S. STRIPE, F/END PNL SI-RH (91A)(*1)	
	N.S. STRIPE, F/END PNL SI-LH (91A)(*1)	
	N.S. STRIPE, F/END PNL SI-RH (92A)(*2)	
	N.S. STRIPE, F/END PNL SI-LH (92A)(*2)	
	N.S. STRIPE, F/END PNL SI-RH (93A)(*3)	
	N.S. STRIPE, F/END PNL SI-LH (93A)(*3)	
	N.S. STRIPE, F/END PNL SI-RH (94A)(*4)	
	N.S. STRIPE, F/END PNL SI-LH (94A)(*4)	
	N.S. STRIPE, F/END PNL SI-RH (95A)(*5)	
	N.S. STRIPE, F/END PNL SI-LH (95A)(*5)	
2.	8.132 STRIPE, FDR,DR,QTR, & E/GATE (91A)(*1,6)	14061442
	8.132 STRIPE, FDR,DR,QTR, & E/GATE (92A)(*2,6)	14061443
	8.132 STRIPE, FDR,DR,QTR, & E/GATE (93A)(*3,6)	14061444
	8.132 STRIPE, FDR,DR,QTR, & E/GATE (94A)(*4,6)	14061445
	8.132 STRIPE, FDR,DR,QTR, & E/GATE (95A)(*5,6)	14061446
3.	12.182 DECAL, "ROYAL KNIGHT" FDR & T/GATE (91A)(*1)	14062153
	N.S. DECAL, "ROYAL KNIGHT" FDR & T/GATE (92A)(*2)	
	N.S. DECAL, "ROYAL KNIGHT" FDR & T/GATE (93A)(*3)	
	N.S. DECAL, "ROYAL KNIGHT" FDR & T/GATE (94A)(*4)	
	N.S. DECAL, "ROYAL KNIGHT" FDR & T/GATE (95A)(*5)	
4.	N.S. STRIPE, RR QTR UPR-RH (91A)(*1)	
	N.S. STRIPE, RR QTR UPR-LH (91A)(*1)	
	N.S. STRIPE, RR QTR UPR-RH (92A)(*2)	
	N.S. STRIPE, RR QTR UPR-LH (92A)(*2)	
	N.S. STRIPE, RR QTR UPR-RH (93A)(*3)	
	N.S. STRIPE, RR QTR UPR-LH (93A)(*3)	
	N.S. STRIPE, RR QTR UPR-RH (94A)(*4)	
	N.S. STRIPE, RR QTR UPR-LH (94A)(*4)	
	N.S. STRIPE, RR QTR UPR-RH (95A)(*5)	
	N.S. STRIPE, RR QTR UPR-LH (95A)(*5)	
5.	12.116 STRIPE, RR WHL OPG-RH (91A)(*1)	14061478
	12.116 STRIPE, RR WHL OPG-LH (91A)(*1)	14061477
	12.116 STRIPE, RR WHL OPG-RH (92A)(*2)	14061480
	12.116 STRIPE, RR WHL OPG-LH (92A)(*2)	14061479
	12.116 STRIPE, RR WHL OPG-RH (93A)(*3)	14061482
	12.116 STRIPE, RR WHL OPG-LH (93A)(*3)	14061481
	12.116 STRIPE, RR WHL OPG-RH (94A)(*4)	14061484
	12.116 STRIPE, RR WHL OPG-LH (94A)(*4)	14061483
	12.116 STRIPE, RR WHL OPG-RH (95A)(*5)	14061486
	12.116 STRIPE, RR WHL OPG-LH (95A)(*5)	14061485
6.	8.132 STRIPE, F/FDR WHL OPG-RH (91A)(*1)	14061458
	8.132 STRIPE, F/FDR WHL OPG-LH (91A)(*1)	14061457
	8.132 STRIPE, F/FDR WHL OPG-RH (92A)(*2)	14061460
	8.132 STRIPE, F/FDR WHL OPG-LH (92A)(*2)	14061459
	8.132 STRIPE, F/FDR WHL OPG-RH (93A)(*3)	14061462
	8.132 STRIPE, F/FDR WHL OPG-LH (93A)(*3)	14061461
	8.132 STRIPE, F/FDR WHL OPG-RH (94A)(*4)	14061464
	8.132 STRIPE, F/FDR WHL OPG-LH (94A)(*4)	14061463
	8.132 STRIPE, F/FDR WHL OPG-RH (95A)(*5)	14061466
	8.132 STRIPE, F/FDR WHL OPG-LH (95A)(*5)	14061465
7.	N.S. DECAL, HOOD "DRAGON" (91A)(*1)	
	N.S. DECAL, HOOD "DRAGON" (92A)(*2)	
	N.S. DECAL, HOOD "DRAGON" (93A)(*3)	
	N.S. DECAL, HOOD "DRAGON" (94A)(*4)	
	N.S. DECAL, HOOD "DRAGON" (95A)(*5)	

NOTE 1: (91A) CHARCOAL, RED, SILVER.
 NOTE 2: (92A) DK BLU MET, LT BLU MET, CREAM.
 NOTE 3: (93A) LT GRAYFERN, DK GRAYFERN, CREAM.
 NOTE 4: (94A) BRIAR, MED BRIAR MET, CREAM.
 NOTE 5: (95A) MED SCARLET MET, LT MAPLE, CREAM.
 NOTE 6: CUT AS REQUIRED.



1G12-037
070783

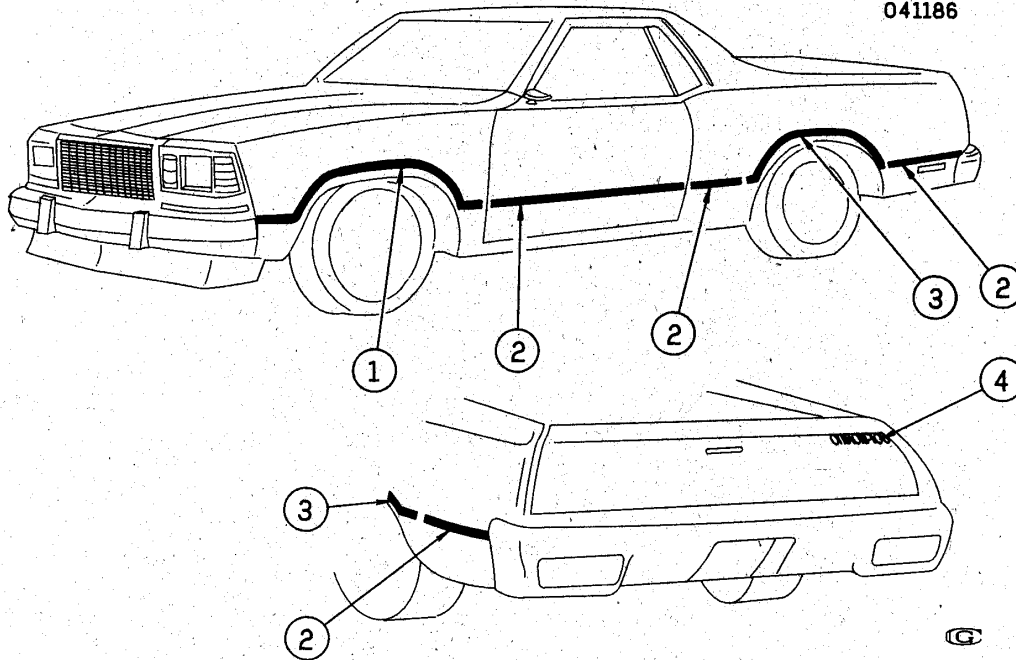
1G12-037

1984 G80 STRIPES/BODY (W/Z15 SUPER SPORT)

1.	8.132 STRIPE, FDR WHL OPG-LH(*6)	14061457
	8.132 STRIPE, FDR WHL OPG-RH(*6)	14061458
	8.132 STRIPE, FDR WHL OPG-LH(*7)	14061459
	8.132 STRIPE, FDR WHL OPG-RH(*7)	14061460
	8.132 STRIPE, FDR WHL OPG-LH(*8)	14061461
	8.132 STRIPE, FDR WHL OPG-RH(*8)	14061462
	8.132 STRIPE, FDR WHL OPG-LH(*9)	14061463
	8.132 STRIPE, FDR WHL OPG-RH(*9)	14061464
	8.132 STRIPE, FDR WHL OPG-LH(*10)	14061465
	8.132 STRIPE, FDR WHL OPG-RH(*10)	14061466
2.	12.112 STRIPE, DR, R/QTR(*1)	14061442
	12.112 STRIPE, DR, R/QTR(*2)	14061443
	12.112 STRIPE, DR, R/QTR(*3)	14061444
	12.112 STRIPE, DR, R/QTR(*4)	14061445
	12.112 STRIPE, DR, R/QTR(*5)	14061446
3.	12.116 STRIPE, QTR WHL OPG-RH(*6)	14061478
	12.116 STRIPE, QTR WHL OPG-LH(*6)	14061477
	12.116 STRIPE, QTR WHL OPG-RH(*7)	14061480
	12.116 STRIPE, QTR WHL OPG-LH(*7)	14061479
	12.116 STRIPE, QTR WHL OPG-RH(*8)	14061482
	12.116 STRIPE, QTR WHL OPG-LH(*8)	14061481
	12.116 STRIPE, QTR WHL OPG-RH(*9)	14061484
	12.116 STRIPE, QTR WHL OPG-LH(*9)	14061483
	12.116 STRIPE, QTR WHL OPG-RH(*10)	14061486
	12.116 STRIPE, QTR WHL OPG-LH(*10)	14061485
4.	12.182 DECAL, E/GATE "CONQUISTA" (RED-CHARCOAL)(19M)	14061434
	12.182 DECAL, E/GATE "CONQUISTA" (CREAM-DK BLUE MET)(27M)	14061435
	12.182 DECAL, E/GATE "CONQUISTA" (GRAYFERN-CREAM)(48M)	14061436
	12.182 DECAL, E/GATE "CONQUISTA" (CREAM-DK BRIAR)(67M)	14061437

- NOTE 1: CHARCOAL-RED-SILVER-BLACK
 NOTE 2: DK BLUE MET-LT BLUE MET-CREAM-BLACK
 NOTE 3: LT GRAYFERN-DK GRAYFERN-CREAM-BLACK
 NOTE 4: DK BRAIR-MED BRIAR MET-CREAM-BLACK
 NOTE 5: MED MAPLE MET-LT MAPLE MET-CREAM-BLACK
 NOTE 6: CHARCOAL-RED-SILVER
 NOTE 7: DK BLUE MET-LT BLUE MET-CREAM
 NOTE 8: LT GRAYFERN-DK GRAYFERN-CREAM
 NOTE 9: DK BRAIR-MED BRIAR MET-CREAM
 NOTE 10: MED SCARLET MET-LT MAPLE MET-CREAM

MG12-014
041186



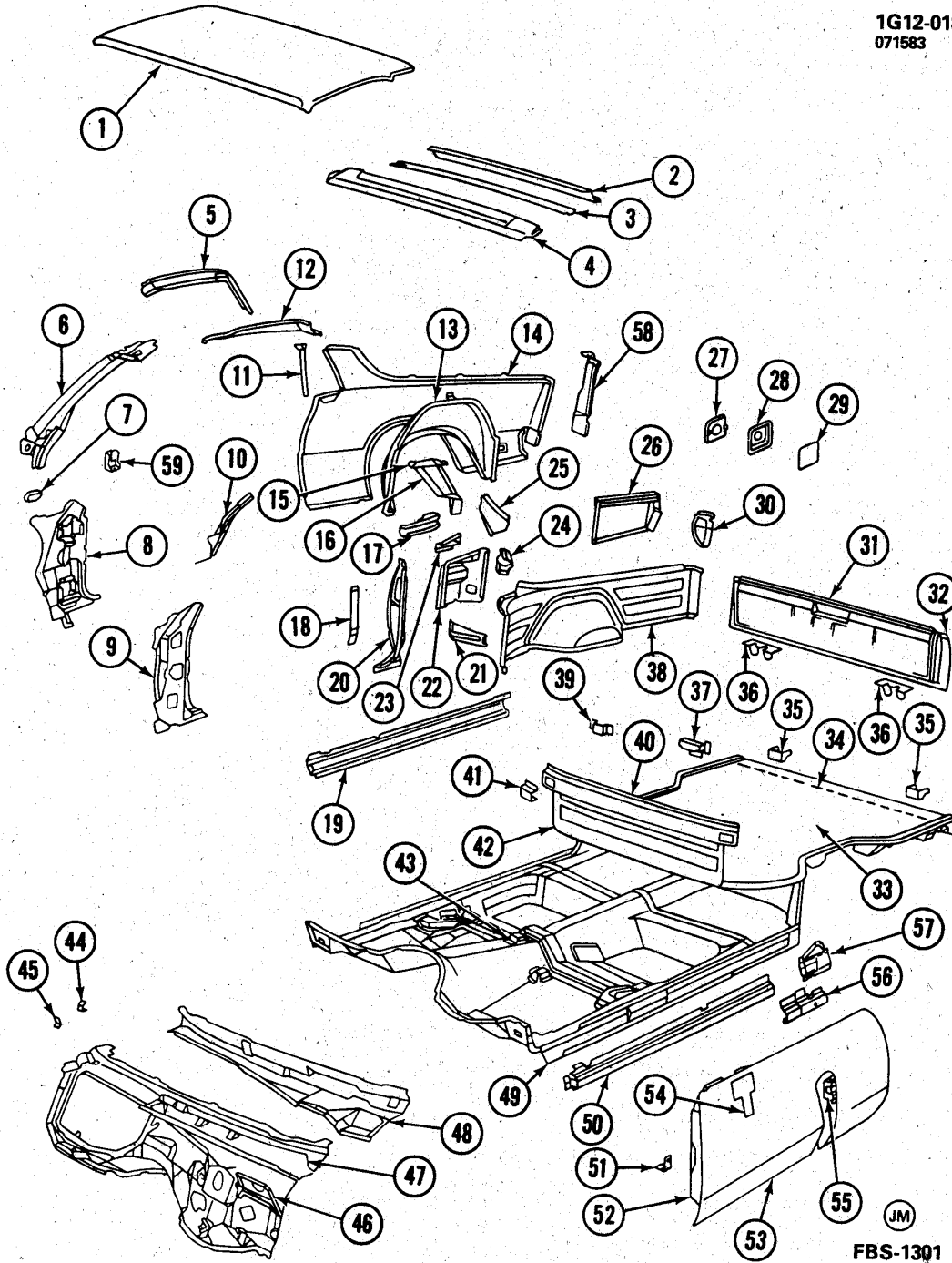
MG12-014

1985-1987 G80 STRIPES/BODY (W/Z15 SUPER SPORT)

1.	8.132 STRIPE, F/FDR WHL OPG-LH(*1)	14084691
	8.132 STRIPE, F/FDR WHL OPG-RH(*1)	14084692
	8.132 STRIPE, F/FDR WHL OPG-LH(*2)	14084693
	8.132 STRIPE, F/FDR WHL OPG-RH(*2)	14084694
	8.132 STRIPE, F/FDR WHL OPG-LH(*3)	14084695
	8.132 STRIPE, F/FDR WHL OPG-RH(*3)	14084696
	8.132 STRIPE, F/FDR WHL OPG-LH(*4)	14084697
	8.132 STRIPE, F/FDR WHL OPG-RH(*4)	14084698
2.	12.112 STRIPE, DR, R/QTR(*2,5)	14085601
	12.112 STRIPE, DR, R/QTR(*1,5)	14085602
	12.112 STRIPE, DR, R/QTR(*3,5)	14085603
	12.112 STRIPE, DR, R/QTR(*4,5)	14085604
3.	12.116 STRIPE, RR WHL OPG-LH(*1)	14085605
	12.116 STRIPE, RR WHL OPG-RH(*1)	14085606
	12.116 STRIPE, RR WHL OPG-LH(*2)	14085607
	12.116 STRIPE, RR WHL OPG-RH(*2)	14085608
	12.116 STRIPE, RR WHL OPG-LH(*3)	14085609
	12.116 STRIPE, RR WHL OPG-RH(*3)	14085610
	12.116 STRIPE, RR WHL OPG-LH(*4)	14085611
	12.116 STRIPE, RR WHL OPG-RH(*4)	14085612
4.	12.182 DECAL, E/GATE NA "CONQUISTA" (BLACK,RED)	14084680
	12.182 DECAL, E/GATE NA "CONQUISTA" (SILVER,RED)	14084681
	12.182 DECAL, E/GATE NA "CONQUISTA" (BLUE,BRT BLUE)	14084682
	12.182 DECAL, E/GATE NA "CONQUISTA" (BROWN,ORANGE)	14084683

NOTE 1: SILVER, RED, BLACK.
NOTE 2: BLACK, RED, SILVER.
NOTE 3: LT BLUE, BRT BLUE, DK BLUE.
NOTE 4: BROWN, ORANGE, BEIGE.
NOTE 5: CUT AS REQUIRED.

1G12-018
071583



FBS-1301

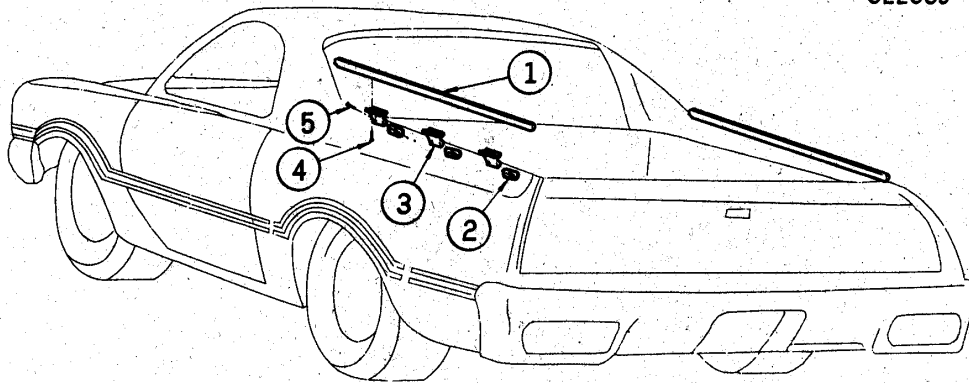
1G12-018

1982-1987 G80 SHEET METAL/BODY

NOTE: FBS-1301

1.	12.810	PANEL, RF
2.	12.971	PANEL, B/W INR UPR
3.	12.952	BOW, RF AUX
4.	12.807	FRAME, W/S INR UPR
5.	12.075	MOLDING, DRIP
6.	12.807	FRAME, W/S SI
7.	8.141	BRACE, FRT BODY HGE PLR TO FDR MT
8.	12.840	PANEL, FRT BODY HGE PLR
9.	12.659	REINFORCEMENT, FRT BODY HGE PLR INR PNL
10.	12.650	BRACE, W/S LWR FRM REINF TO UPR
11.	12.942	PANEL, BODY LK PLR OTR UPR
12.	12.957	RAIL, SI RF
13.	12.944	PANEL, W/H OTR
14.	12.940	PANEL, QTR OTR
15.	12.941	PANEL, QTR INR UPR FRT
16.	12.941	PANEL, QTR INR LWR FRT
17.	12.940	GUTTER, Q/WDO DRN
18.	12.981	EXTENSION, COMPT PAN TO W/H OTR
19.	12.934	PANEL, RKR OTR
20.	12.942	PANEL, BODY LK PLR OTR LWR
21.	12.941	BRACE, QTR INR FRT PNL TO QTR INR
22.	12.941	PANEL, QTR INR FRT
23.	12.940	REINFORCEMENT, QTR INR FRT PNL AT BELT
24.	12.981	EXTENSION, COMPT DIV PNL REINF
25.	12.941	PANEL, QTR INR UPR
26.	12.981	FILLER, COMPT PAN TO QTR PNL
27.	12.945	POCKET, F/TNK FIL NK
28.	12.945	FILLER, FUEL FIL DR OPG
29.	12.945	DOOR, F/TNK FIL
30.	12.940	EXTENSION, OTR PNL RR
31.	12.179	GATE, TAIL (INCL 32)
32.	12.179	PANEL, T/GATE OTR (PART OF 31)
33.	12.981	PAN, COMPT
34.	12.986	BAR, COMPT PAN RR CR FRT
35.	12.184	STRAP, HGE T/GATE (BODY SI)
36.	12.184	STRAP, HGE T/GATE (GATE SI)
37.	12.981	RETAINER, STOW JK-LH
38.	12.941	PANEL, QTR INR LWR
39.	12.981	RETAINER, STOW JK-RH
40.	12.941	REINFORCEMENT, COMPT DIV PNL
41.	12.941	COVER, COMPT DIV PNL REINF
42.	12.941	PANEL, COMPT DIV
43.	N.S.	SUPPORT, MTR MT ON RL
44.	10.096	SUPPORT, MLDG W/S LWR INR
45.	10.096	SUPPORT, MLDG W/S LWR OTR
46.	10.152	PLATE, MT WSW MTR
47.	12.804	PANEL, SHRD UPR
48.	12.807	FRAME, W/S LWR
49.	12.934	PANEL, RKR INR FRT
50.	12.934	REINFORCEMENT, RKR OTR PNL
51.	10.716	SUPPORT, F/D WDO BPR
52.	10.351	DOOR, FRT (INCLUDES 53,55)
53.	12.895	PANEL, F/D OTR (PART OF 52)
54.	10.186	REINFORCEMENT, F/D OTR PNL AT MIR
55.	12.895	BAR, F/D OTR PNL (PART OF 52)
56.	12.934	REINFORCEMENT, RKR OTR PNL RR
57.	12.934	PANEL, RKR INR RR
58.	12.968	PANEL, BK BODY PLR OTR
59.	8.141	PLATE, F/FDR MT

1G12-048
022085



1G12-048

1982-1987 G80 SIDE RAILS/CARGO BOX

1.	12.815 RAIL , CARGO BOX SI-RH	470286
	12.815 RAIL , CARGO BOX SI-LH	470285
2.	12.815 PAD , CARGO BOX SI RAIL SUPT-RH	470284
	12.815 PAD , CARGO BOX SI RAIL SUPT-LH	470283
3.	12.815 SUPPORT , CARGO BOX SI RAIL-RH	470282
	12.815 SUPPORT , CARGO BOX SI RAIL-LH	470281
4.	8.977 SCREW , PAN HD TORX TAP (M4.2X1.41X20)	12338088
5.	8.977 SCREW , OV TR HD C/R TAP (M6.3X1.81X20)	11501174